



Parts Manual

Spray Gun

Series Master

Issue 5.8 9/30/2025
Ref. NR-00004-ENG



Before starting or carrying out maintenance work on the MASTER gun, please carefully read all the technical and safety documentation included in the Manual Service. It is important to pay special attention to the information contained to see and understand the handling and conditions of use of the gun. This information is aimed at USER SAFETY and the PREVENTION OF PROBLEMS.



WARRANTY

HI-TECH SPRAY EQUIPMENT, S. A. (hereinafter "HI-TECH") grants this Limited Guarantee to the original buyer (hereinafter the "Client") for the unit and the original accessories given with the unit (hereinafter the "Product") against any fault in the design, materials or manufacture of the Product at the time of the first purchase by the user and for a duration of two (2) years thereafter, except in the case of hoses and TSU's, which will have a warranty period of one (1) year. Additionally, for any other product manufactured by external suppliers, the warranty period will be as specified by the manufacturer.

If during the guarantee period and under normal conditions of use, the Product should fail to work correctly due to defects of design, material or manufacture, the authorised distributor of the country where the HI-TECH Product or technical assistance service has been purchased shall repair or replace the Product in accordance with what is established in the following:

CONDITIONS

- a) The validity of this guarantee will be subject to the presentation of the original invoice issued by the HI-TECH authorised distributor for the sale of the Product along with the Product handed over for repair or replacement, which must show the date of purchase and the serial number. HI-TECH reserves the right to refuse to give the guarantee service when the indicated data fail to appear on the invoice or have been modified after the purchase of the Product.
- b) The repaired or replaced Product will continue to maintain the original guarantee for the time remaining until the end of the guarantee or for three (3) months from the repair date, if the remaining period of the original guarantee were shorter.
- c) This guarantee will not be applied to the faults in the Product caused by its faulty installation, the natural wear and tear of the components, any use other than that considered normal for this Product or which should fail to strictly comply with the instructions of use provided by HI-TECH; due to accident, carelessness, adjustments, alterations or modifications of the Product not authorised by HI-TECH or due to the use of accessories, heating devices, pumping equipment and/or dispensers that have not been approved or manufactured by HI-TECH.
- d) The guarantee applicable to the components and accessories forming part of the Product and which have not been made by HI-TECH will be limited to the guarantee offered by the original manufacturer thereof.

HI-TECH WILL NOT RECOGNISE ANY EXPRESS ORAL OR WRITTEN GUARANTEES OTHER THAN THIS PRINTED LIMITED GUARANTEE. ALL IMPLICIT GUARANTEES, INCLUDING, WITHOUT LIMIT, ADAPTATION FOR A SPECIFIC USE, ARE SUBJECT TO THE DURATION OF THIS WRITTEN GUARANTEE. HI-TECH DOES NOT ASSUME ANY KIND OF COMMITMENT OR RESPONSIBILITY FOR ALL POSSIBLE DAMAGE OR EXPENSE CAUSED BY FAULTS IN THE OUTPUT OF THE PRODUCT, ITS WORKING OR THE DISPENSING OF MATERIAL THROUGH THE PRODUCT, INCLUDING, WITHOUT LIMITATION, ALL EXPENSES CAUSED BY DAMAGE TO PEOPLE OR PROPERTY. EQUALLY, HI-TECH WILL IN NO CASE ACCEPT LIABILITY FOR THE LOSS OF SPECULATIVE PROFITS OR COMMERCIAL LOSSES. ALL REPAIRS OR REPLACEMENT OF FAULTY PRODUCTS WILL CONSTITUTE THE COMPREHENSIVE FULFILMENT OF HI-TECH'S OBLIGATIONS WITH RESPECT TO THE CLIENT. HI-TECH DOES NOT IN ANY WAY GUARANTEE THE SUITABILITY OR APTITUDE OF ITS PRODUCT FOR ANY PARTICULAR PURPOSE OR APPLICATION.

All information provided on components which have not been manufactured by HI-TECH and which is based on reports received from the original manufacturer, though considered precise and reliable, is provided without any guarantee or responsibility of any explicit or implicit kind.

All concession, sale or financial leasing of the Product by HI-TECH in no case explicitly or implicitly constitutes any authorisation, acceptance or concession for the use of any rights or patents, nor does it encourage, nurture or back their infringement.

The restrictions on the guarantee suppose no limitation on the legal rights of the consumer established in applicable national legislation, nor do they affect any rights derived from the bargain and sale agreement between the consumer and supplier.

All information provided in this manual has been included in the confidence that it is true, although it does not constitute any responsibility or implicit or explicit guarantee. HI-TECH reserves the right at any time and without prior warning to make all improvements and modifications necessary to this manual, in order to rectify any possible typographical errors, increase the information contained or insert the changes caused to the characteristics and performance of the unit.



SAFETY AND HANDLING

The equipment described in this manual has been designed and manufactured in compliance with the following European Directives, following as application guide the harmonized standards detailed and in conformity with the relevant UK Statutory Instruments (and their amendments):

2006/42/EC Machinery Directive

2014/35/EU Low Voltage Directive

2014/30/EU EMC Directive

2011/65/EU RoHS Directive with amendment 2015/863

2012/19/EU Directive on waste electrical and electronic equipment

Standards used:

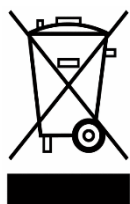
EN ISO 12100:2010

EN 60204-1:2018

EN IEC 61000-6-4:2019

EN IEC 61000-6-2:2019

EN IEC 63000:2018



recycling sectors.

Electrical products cannot be thrown out with the rubbish. They must be taken to a dedicated collection point for an environmentally sound disposal in accordance with local regulations. You must contact your local collective or retailer for information about recycling. Before leaving WEEE at appropriate collection facilities, batteries must be removed and disposed of separately for proper recycling. The packaging materials are recyclable. Dispose of packaging materials in an environmentally sound manner and place them at the disposal of

TRANSPORT AND STORAGE

Proper precautions must be taken so that the equipment can withstand the effects of transport and storage temperatures between -25°C and +55°C or up to +70°C for short periods that do not exceed 24 hours. Also, appropriate means to prevent damage from moisture, vibrations or shocks must be foreseen.

STANDARD FINAL ASSEMBLY

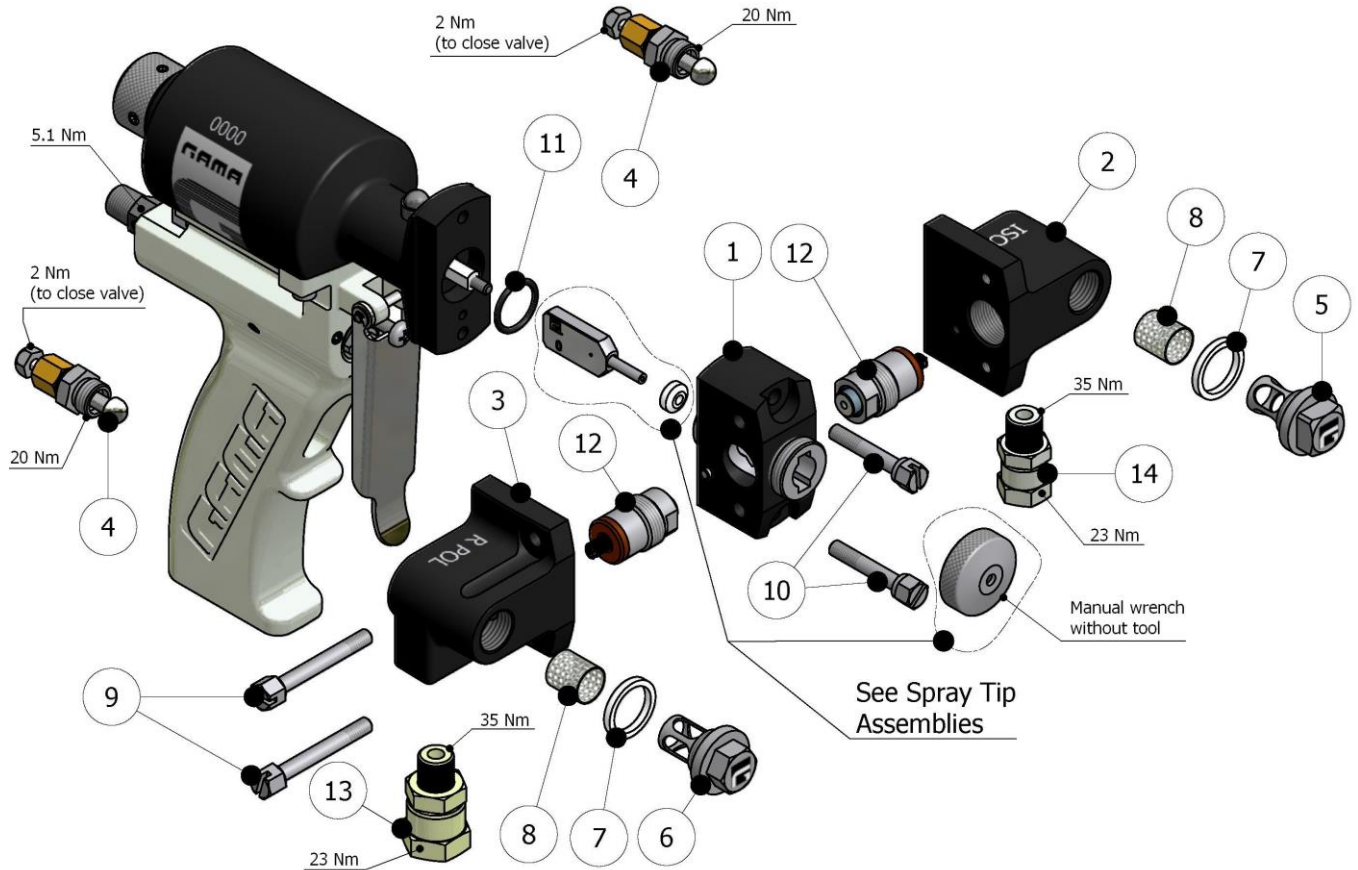


Figure 1. Standard Final Assembly, Exploded View



Table 1. Standard Final Assembly, Parts List

Item	Description	Part Number	Qty.
1	Gun Block	GU-02004-00	1
2	A-Side Block	GU-02005-00	1
3	R-Side Block	GU-02006-00	1
4	Manual Valve Assembly	GU-02020-00G	2
5	A-Screen Screw	GU-02017	1
6	R-Screen Screw	GU-02018	1
7	Screen Screw Seal	GU-02019	2
8	Screen-40 Mesh	GU-02063-40	2
	Screen-60 Mesh (Optional)	GU-02063-60	2
	Screen-80 Mesh (Optional)	GU-02063-80	2
9	Side Block Bolt	GU-02025	2
10	Gun Block Bolt	GU-02026	2
11	O-ring	OR-00025	1
12	Metallic Seal Kit for Chamber Size 0, 1, 2 & 3	GU-02031-05	2
	Metallic Seal Kit for Chamber Size 4 & 5	GU-02031-04	2
13	R-Swivel Fitting	RA-00006	1
14	A-Swivel Fitting	RA-00005	1

(OPTIONAL) FINAL ASSEMBLY

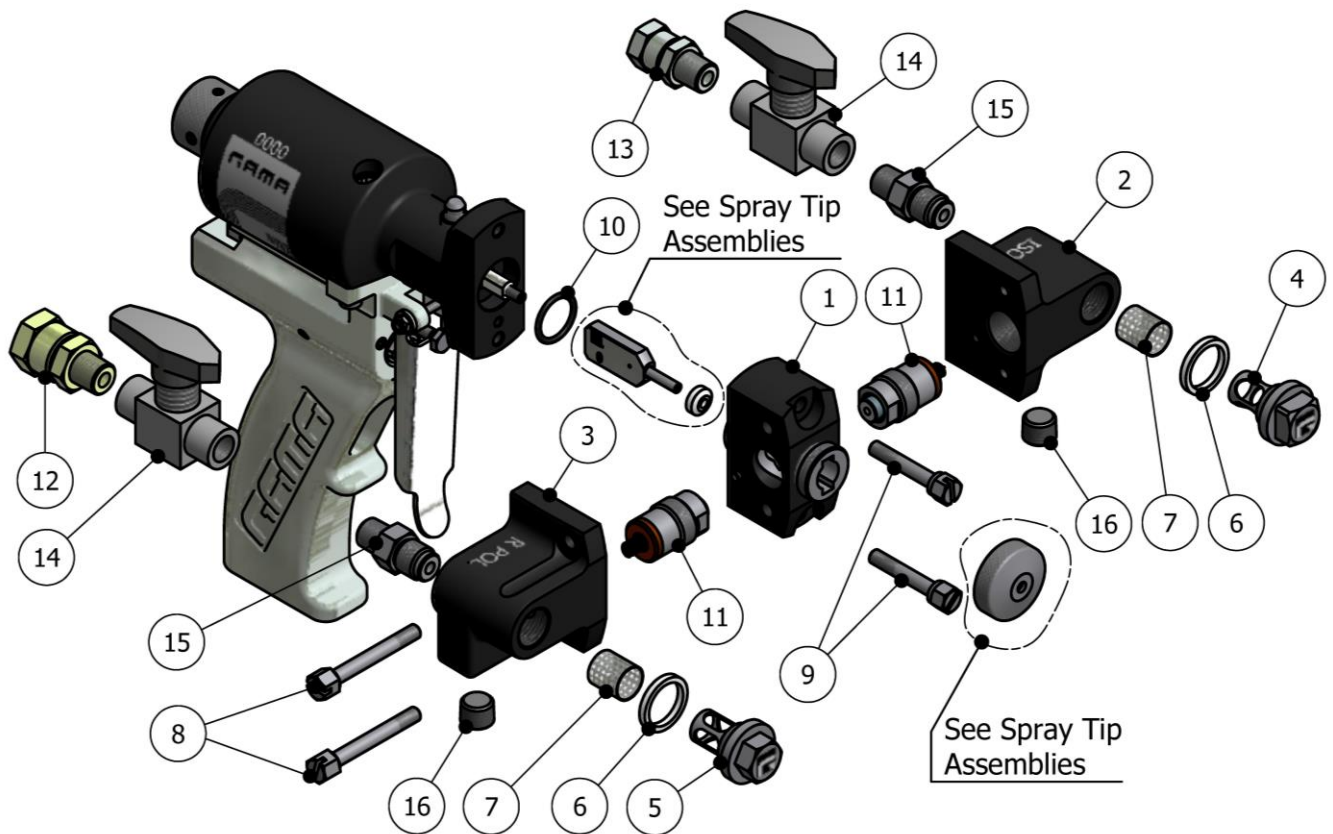


Figure 2. (OPTIONAL) Final Assembly, Exploded View



Table 2. Standard Final Assembly, Parts List

Item	Description	Part Number	Qty.
1	Gun Block	GU-02004-00	1
2	A-Side Block	GU-02005-00	1
3	R-Side Block	GU-02006-00	1
4	A-Screen Screw	GU-02017	1
5	R-Screen Screw	GU-02018	1
6	Screen Screw Seal	GU-02019	2
7	Screen-40 Mesh	GU-02063-40	2
	Screen-60 Mesh (Optional)	GU-02063-60	2
	Screen-80 Mesh (Optional)	GU-02063-80	2
8	Side Block Bolt	GU-02025	2
9	Gun Block Bolt	GU-02026	2
10	O-ring	OR-00025	1
11	Metallic Seal Kit for Chamber Size 0, 1, 2 & 3	GU-02031-05	2
	Metallic Seal Kit for Chamber Size 4 & 5	GU-02031-04	2
12	R-Swivel Fitting	RA-00006	1
13	A-Swivel Fitting	RA-00005	1
14	Ball Valve (standard)	RA-00070	2
	Ball Valve (High pressure) (*)	RA-00070H	2
15	Adapter	RA-00108-A	2
16	Pipe plug	RA-00004	2

Note:

(*) Only for high pressure, combined with the Metallic Side Seal Ref. GU-02031-03.

METALLIC SEAL KIT

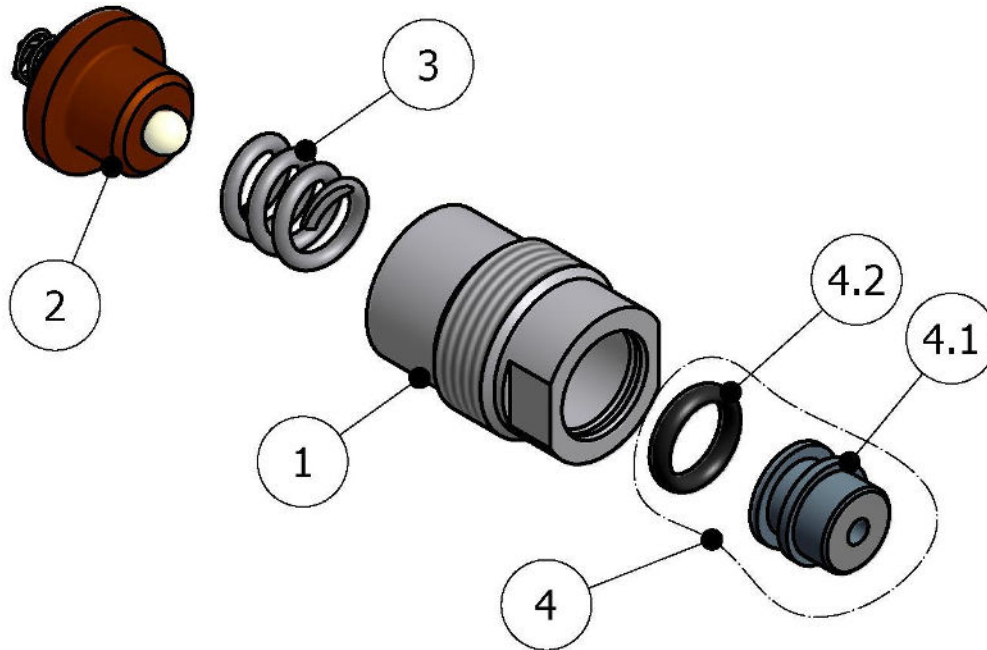


Figure 3. Metallic Seal Kit, Part Number GU-02031-04

Table 3. Metallic Seal Kit, Parts

Item	Description	Part Number	Qty.
1	Seal body	GU-02031-01	1
2	Check Valve Assembly	GU-02033-00	1
3	Spring	SP-00005	1
4	Side Seal with O-Ring	GU-02049	1
4.1	Side Seal	GU-02049-02	1
4.2	O-ring (Included in Item 4)	OR-00024	1



HANDLE ASSEMBLY

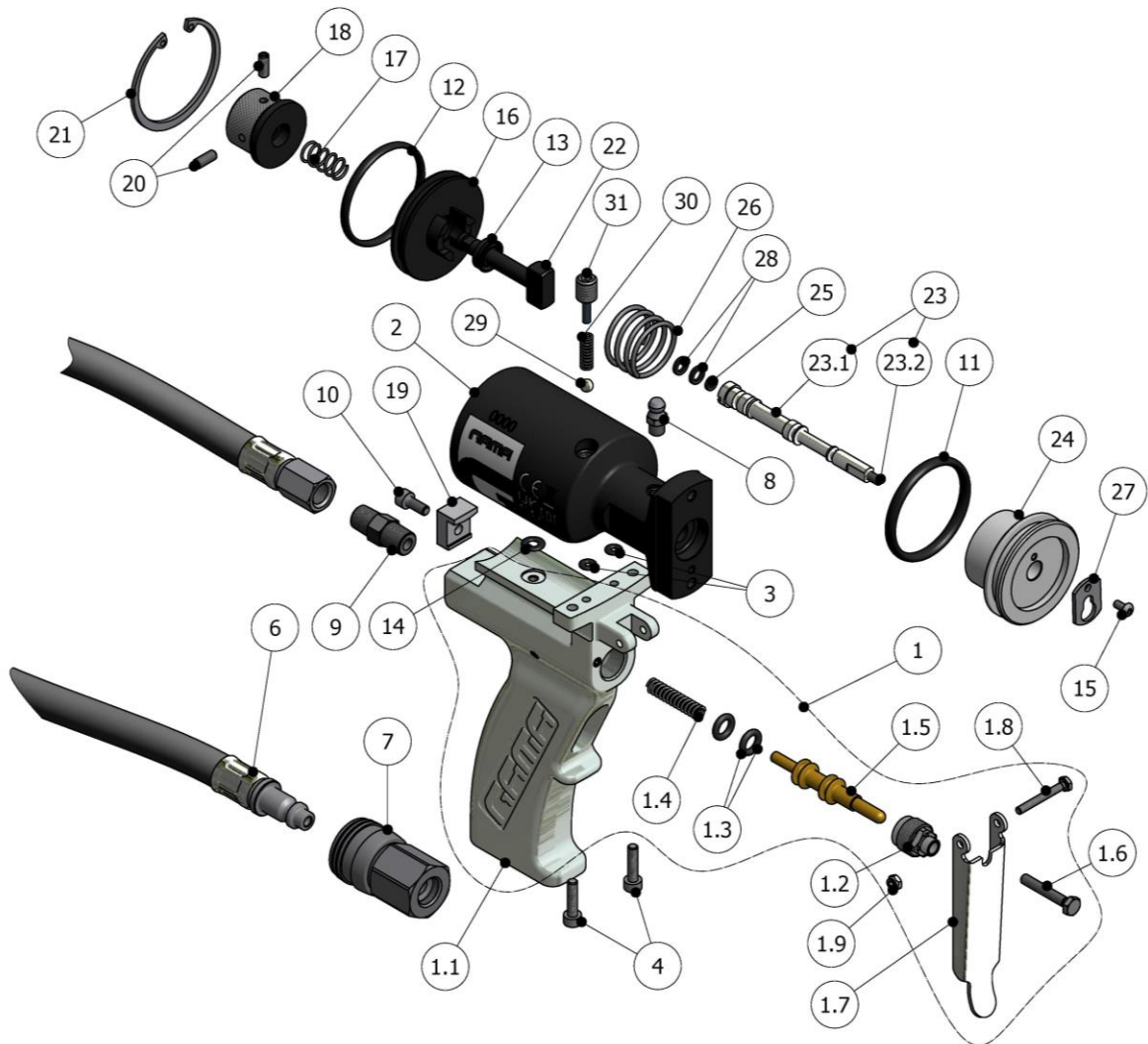


Figure 4. Handle Assembly, Exploded View



Table 4. Handle Assembly, Parts

Item	Description	Part Number	Qty.
1	Handle Assy with Trigger	GU-02129-02	1
1.1	Handle with Plugs (*)	GU-02129-01	1
1.1A	Handle Mechanized and Polished without Plugs (°)	GU-02129-00	1
1.1B	Plugs (°)	TN-00251	6
1.2	Trigger Valve Nut (*)	GU-02131	1
1.3	O-Ring (*)	OR-00079	2
1.4	Trigger Spring (*)	SP-00022	1
1.5	Trigger Shaft (*)	GU-02130	1
1.6	Trigger Stop Bolt (*)	TN-00235	1
1.7	Trigger (*)	GU-02132	1
1.8	Trigger Screw (*)	TN-00459	1
1.9	Retention Nut (*)	TN-00460	1
2	Air Cylinder	GU-02002	1
2.1	Plug (#)	TN-00251	2
3	O-Ring	OR-00002	2
4	Socket Head Cap Screw	TN-00049	2
5			
6	Hose Air Supply	MA-00027	1
7	Quick Connect Air Supply	RA-00109	1
8	Grease Fitting	TN-00292	1
9	Hex. Nipple	RA-00112	1
10	Socket Head Cap Screw	TN-00002	1
11	O-Ring	OR-00029	1
12	O-Ring	OR-00026	1
13	Collar	OR-00027	1
14	O-Ring	OR-00024	1
15	ULS Screw	TN-00458	1
16	End-Cap	GU-02003	1
17	Stop Spring	SP-00008	1
18	Stop Knob	GU-02007	1
19	Cylinder Clamp	GU-02021	1



item.	Description	Part Number	Qty.
20	Screw	TN-00099	2
21	Retainer Ring	TN-00092	1
22	Stop Spin	GU-02008	1
23	Piston Shaft Assembly (@)	GU-02163-00	1
23.1	Piston Shaft	GU-02163-01	1
23.2	Screw	TN-00010	1
24	Piston	GU-02009-01	1
25	O-Ring	OR-00028	1
26	Spring	SP-00007	1
27	Retainer Plate	GU-02163-02	1
28	O-Ring	OR-00002	2
29	Ball	TN-00228	1
30	Spring	SP-00021	1
31	Stop Ball	GU-02120	1

(@) Include 2 x item. 28, 1 x item. 25, 1x item.23.1 & 1x item. 23.2.

() Parts included in item.1*

(°) Parts included in item. 1.1

(#) Parts included in item 2

(OPTIONAL) MAGNETIC SWITCH ASSEMBLY



Figure 5. (OPTIONAL) Magnetic Switch Assembly, Exploded View

Table 5. (OPTIONAL) Magnetic Switch Assembly Parts List

Item	Description	Part Number	Qty.
1	Magnetic Switch Air Cylinder for Standard Version	GU-02050	1
2	Magnetic Switch Air Cylinder for Timer & Auto Version	GU-02050-A	
	Plug (#)	TN-00251	2+2
3	Magnetic Switch Bracket	GU-02051	1
4	Magnetic Switch with cable 2 m & Square Connector 3p	EL-00136-04	1
5	Magnetic Piston Assy	GU-02059-00	1
5.1	Magnetic Piston	GU-02059-01	1 (*)
5.2	Magnet	GU-02034-02	2 (*)
5.3	Seeger Ring	TN-00009	1 (*)
6	Screw	TN-00002	1

(*) Included in Item 5.

(#) 2 Plugs included in item 1 and 2 Plugs included in item 2

(OPTIONAL) TIMER ASSEMBLY

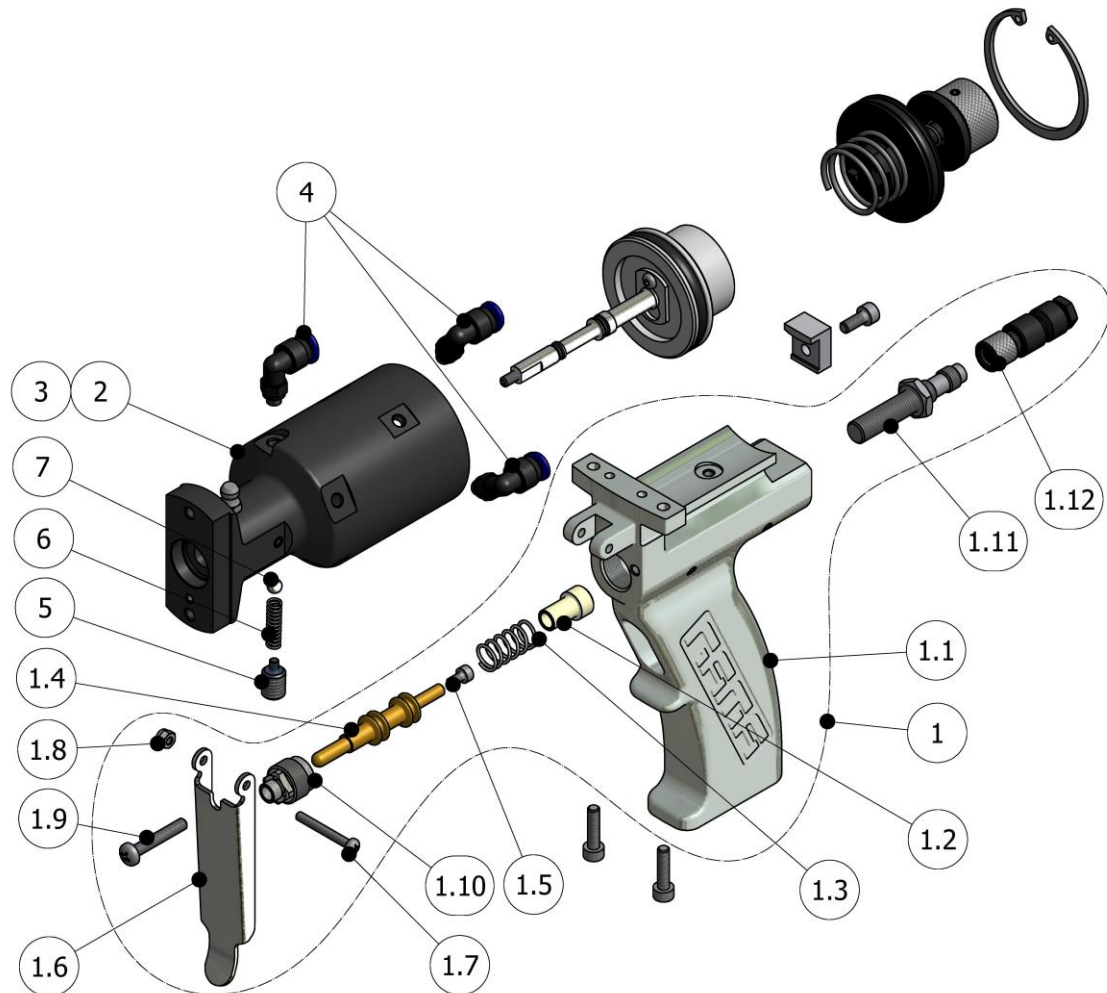


Figure 6. (OPTIONAL) Timer Assembly, Exploded View



Table 6. (OPTIONAL) Timer Assembly, Parts List

item.	Description	Part Number	Qty.
1	Handle Assy with Trigger for Timer	GU-02129-02A	1
1.1	Handle Mechanized and Polished (*)	GU-02129-A0	1
1.2	Timer Trigger Spring Seat (*)	GU-02135	1
1.3	Timer Trigger Spring (*)	SP-00023	1
1.4	Timer Trigger Shaft (*)	GU-02130-A	1
1.5	Cylindrical Head Screw (*)	TN-00020	1
1.6	Trigger (*)	GU-02132	1
1.7	Trigger Screw (*)	TN-00459	1
1.8	Retention Nut (*)	TN-00460	1
1.9	Trigger Stop Bolt (*)	TN-00235	1
1.10	Trigger Valve Nut (*)	GU-02131	1
1.11	Inductive Switch (*)	EL-00136-02	1
1.12	Cable Switch with Connectors (*)	EL-00136-07	1
2	Air Cylinder for Timer Version	GU-02002-A	1
3	Magnetic Switch Air Cylinder for Timer Version	GU-02050-A	1
	Plug (#)	TN-00251	2+2
4	Knead Pneumatic Connection	RA-00088	3
5	Stop Ball	GU-02126	1
6	Spring	SP-00021-01	1
7	Ball	TN-00228	1

N.B.:

Fit the right Air Cylinder for the standard version of the gun with Timer or for the gun with Timer and Switch.

(*) Parts included in item. 1

(#) 2 Plugs included in item 2 and 2 Plugs included in item 3.

(OPTIONAL) AUTOMATIC ASSEMBLY

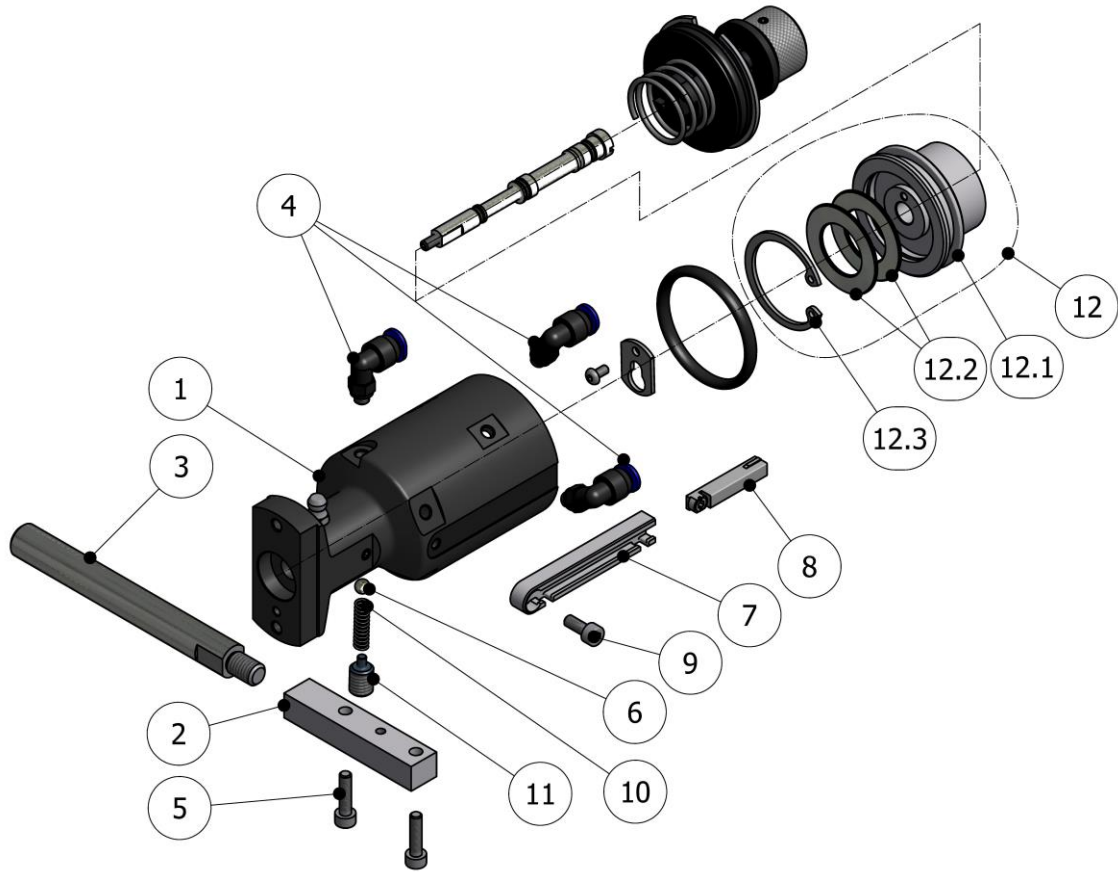


Figure 7. (OPTIONAL) Automatic Assembly



Table 7. (OPTIONAL) Automatic Assembly, Parts List

Item.	Description	Part Number	Qty.
1	Automatic Air Cylinder with Magnetic Switch	GU-02050-A	1
1.1	Plug (#)	TN-00251	2
2	Rod Support	GU-02055	1
3	Connection Rod	GU-02056	1
4	Elbow	RA-00088	3
5	Screw	TN-00001	2
6	Ball	TN-00228	1
7	Magnetic Switch Bracket	GU-02051	1
8	Magnetic Switch with cable 2m+Square Connector 3p.	EL-00136-04	1
9	Srew	TN-00002	1
10	Spring	SP-00021-01	1
11	Stop Ball	GU-02126	1
12	Magnetic Piston Assy	GU-02059-00	1
12.1	Magnetic Piston	GU-02059-01	1 (*)
12.2	Magnet	GU-02034-02	2 (*)
12.3	Seeger Ring	TN-00009	1 (*)

(*) Included in Item 12.

(#) Included in item 1



ROUND SPRAY PATTERN ASSEMBLY

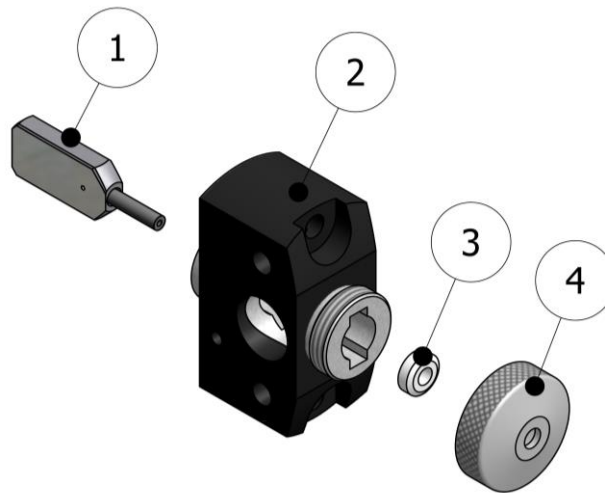


Figure 8. Round Spray Tip Assembly, Exploded View

Table 8. Round Spray Tip Assembly, Parts List

Item	Description	Part Number	Qty.
1	Mixing Chamber	See Table 9	1
2	Gun Block	GU-02004-00	1
3	Air Seal	See Table 9	1
4	Air Cap	See Table 9	1



Table 9. Round Tip Assembly, Parts List

Output (Kg/min.)	Mixing Chamber Item 1	Air Cap Item 4	Air Seal Item 3
1,4 – 4,2	GU-02035	GU-02028	GU-02024
1,5 – 5,3	GU-02011-0	GU-02028	GU-02024
2,1 – 6,7	GU-02011-00	GU-02028	GU-02024
3,7 – 10,5	GU-02012-00	GU-02028	GU-02024
4,6 – 12,7	GU-02013-00	GU-02028	GU-02024
6,8 – 18,5	GU-02014-00	GU-02028	GU-02024
8,5 – 19,2	GU-02015-00	GU-02029	GU-02023
8,5 – 20,2	GU-02016-00	GU-02029	GU-02023
2,1 – 6,7	GU-02205	GU-02028	GU-02024
1,5 – 5,3	GU-02204	GU-02028	GU-02024
2,2 – 9	GU-02209	GU-02028	GU-02024

NB: Outputs are approximated, values can change depending on the densities and temperatures of the chemicals.

Test fluid: Mesamoll. Dynamic stickiness: 100-130 mPa.s. Thickness: from 1,04 to 1,07 Kg/L. Pressure 40- 250 bar.

To see the components included in the Round Mixing Chamber Assy, to consult the Table 10.



Table 10. List of Components Included in Round Mixing Chamber Assy

Size	Chamber Assy	Chamber Item 1	Clean Drill 1	Clean Drill 2	Air Seal Item 3
000	GU-02035-00	GU-02035	HT-00027	HT-00079	GU-02024
00	GU-02011-000	GU-02011-0	HT-00104	HT-00023	GU-02024
0	GU-02011-00	GU-02011	HT-00062	HT-00063	GU-02024
1	GU-02012-00	GU-02012	HT-00064	HT-00065	GU-02024
2	GU-02013-00	GU-02013	HT-00029	HT-00062	GU-02024
3	GU-02014-00	GU-02014	HT-00030	HT-00064	GU-02024
4	GU-02015-00	GU-02015	HT-00013	HT-00014	GU-02023
5	GU-02016-00	GU-02016	HT-00089	HT-00030	GU-02023
A1	GU-02209-00	GU-02209	HT-00064	HT-00065	GU-02024
A0	GU-02205-00	GU-02205	HT-00066	HT-00087	GU-02024
A00	GU-02204-00	GU-02204	HT-00064	HT-00022	GU-02024

FLAT SPRAY PATTERN ASSEMBLY

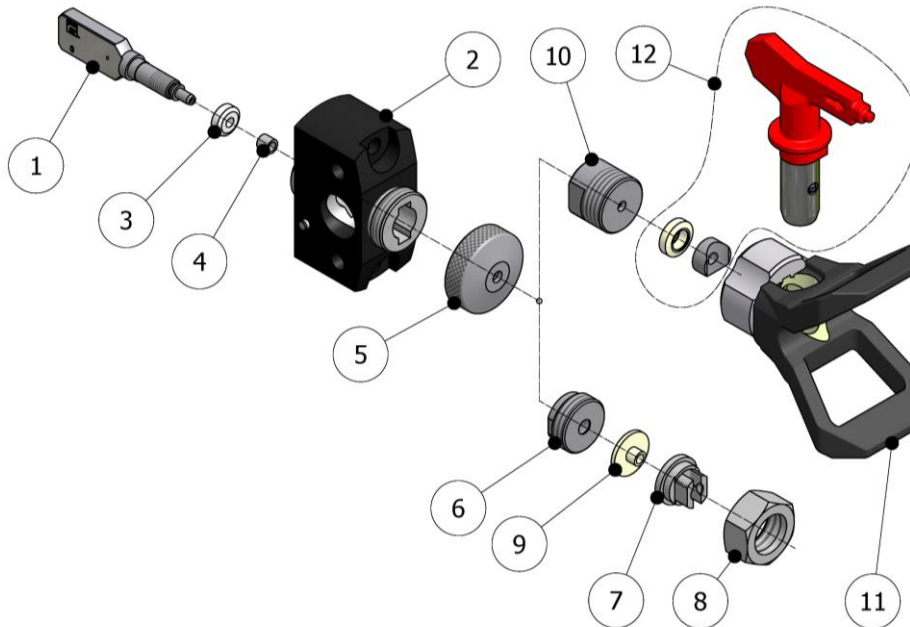


Figure 9. Flat Spray Tip Assembly, Exploded View

Table 11. Flat Spray Tip Assembly, Parts List

Item	Description	Part Number	Qty.
1	Mixing Chamber	See Table 12	1
2	Gun Block	GU-02004-00	1
3	Air Seal	GU-02022	1
4	Seal	See Table 12	1
5	Air Cap	GU-02027	1
6	PCD Adapter	See Table 12	1
7	Flat TIP	See Table 16	1
8	Retaining Nut	GU-02042-01	1
9	Seal	See Table 12	
10	Adapter reversible TIP support (OPTIONAL)	See Table 12	1
11	Reversible TIP support (OPTIONAL)	GU-05017	1
12	Reversible TIP (OPTIONAL)	See Table 17	1

To see the components included in the Flat Mixing Chamber Assy, to consult the Table 13.



Table 12. Parts List According to Production Flat Mixing Chamber

Standard Flat TIP						
Output (Kg/min.)	Mixing Chamber Assy	SIZE	item.1	item.4	item.6	item.9
			Chamber	Seal	PCD Adapter	Seal
2,1 – 6,7	GU-02071-00	0	GU-02071	-	GU-02090-01	GU-02041-01
3,7 – 10,5	GU-02072-00	1	GU-02072	-	GU-02090-01	GU-02041-01
4,6 – 12,7	GU-02073-00	2	GU-02073	-	GU-02090-01	GU-02041-01
6,8 – 18,5	GU-02074-00	3	GU-02074	-	GU-02090-01	GU-02041-01
8,5 – 19,2	GU-02075-00	4	GU-02075	GU-02053	GU-02090-02	-
8,5 – 20,2	GU-02076-00	5	GU-02076	GU-02053	GU-02090-02	-

Reversible TIP (OPTIONAL)				
Output (Kg/min.)	SIZE Mixing Chamber	Item.1	Item.4	Item.10
		Mixing Chamber	Seal	Adapter reversible TIP support (OPTIONAL)
2,1 – 6,7	0	GU-02071	GU-02048	GU-02043-01
3,7 – 10,5	1	GU-02072	GU-02048	GU-02043-01
4,6 – 12,7	2	GU-02073	GU-02048	GU-02043-01
6,8 – 18,5	3	GU-02074	GU-02048	GU-02043-01
8,5 – 19,2	4	GU-02075	GU-02053	GU-02054-01
8,5 – 20,2	5	GU-02076	GU-02053	GU-02054-01

NB: Outputs are approximated, values can change depending on the densities and temperatures of the chemicals.

Test fluid: Mesamoll. Pressure 40- 250 bar.

Dynamic stickiness: 100-130 mPa.s.

Thickness: from 1,04 to 1,07 Kg/L



Master Gun
Parts Manual

Table 13. List of Components Included in Flat Mixing Chamber Assy

Size	Chamber Assy	Chamber Item 1	Clean Drill 1	Clean Drill 2	Air Seal Item 3	Seal Item 4
0	GU-02071-00	GU-02071	HT-00062	HT-00063	GU-02022	-
1	GU-02072-00	GU-02072	HT-00064	HT-00065	GU-02022	-
2	GU-02073-00	GU-02073	HT-00029	HT-00062	GU-02022	-
3	GU-02074-00	GU-02074	HT-00030	HT-00064	GU-02022	-
4	GU-02075-00	GU-02075	HT-00013	HT-00014	GU-02022	GU-02053
5	GU-02076-00	GU-02076	HT-00089	HT-00030	GU-02022	GU-02053



(OPTIONAL) STATIC MIXER ASSEMBLY

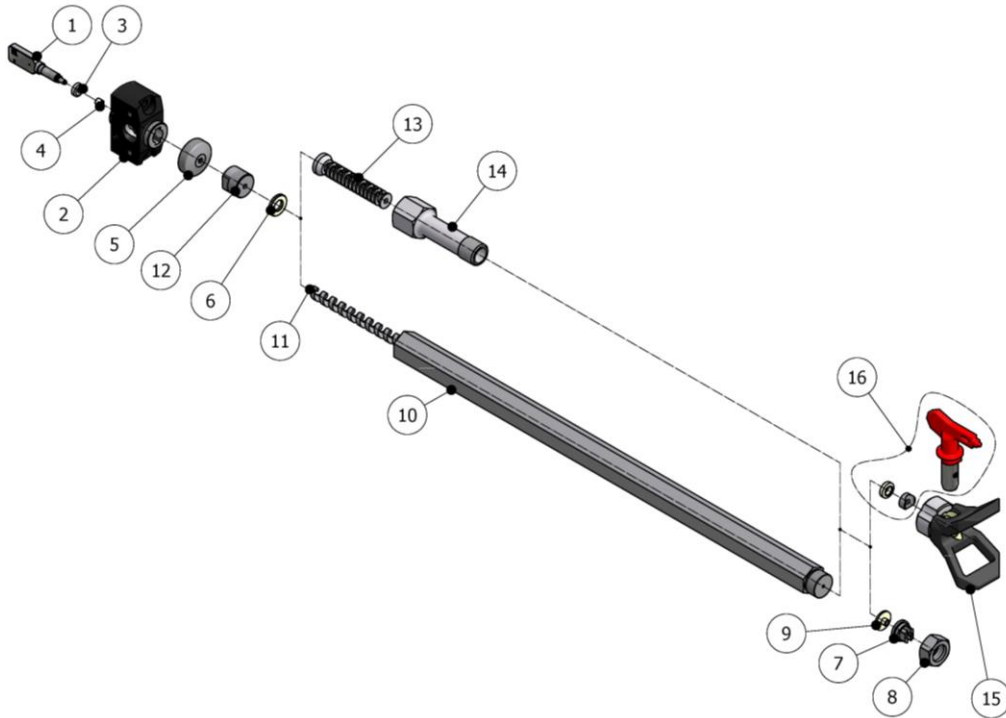


Figure 10. (OPTIONAL) Static Mixer Assembly, Exploded View

Table 14. (OPTIONAL) Static Mixer Assembly, Parts List

Item	Description	Part Number	Qty.
1	Mixing Chamber	See Table 15	1
2	Gun Block	GU-02004-00	1
3	Air Seal	GU-02022	1
4	Seal	See Table 15	1
5	Air Cap	GU-02027	1
6	Seal	GU-05019	1
7	Flat TIP	See Table 16	1
8	Retaining Nut	GU-02042-01	1
9	Seal	GU-02041-01	1
10	Standard Static Chamber	See Table 18	1
11	Standard Mixing Element	See Table 18	1

To see the components included in the Flat Mixing Chamber Assy, to consult the Table 13.



Item	Description	Part Number	Qty.
12	Static Mixer Adapter	See Table 15	1
13	Labyrinth Mixing Element	See Table 19	1
14	Static Chamber	See Table 19	1
15	Reversible TIP support	GU-05017	1
16	Reversible TIP	See Table 17	1

To see the components included in the Flat Mixing Chamber Assy, to consult the Table 13.

Table 15. Parts List According to Production

Output (Kg/min.)	SIZE	item.1	item.4	item.12
		Mixing Chamber	Seal	Static Mixer Adapter
2,1 – 6,7	0	GU-02071	GU-02048	GU-02043-01
3,7 – 10,5	1	GU-02072	GU-02048	GU-02043-01
4,6 – 12,7	2	GU-02073	GU-02048	GU-02043-01
6,8 – 18,5	3	GU-02074	GU-02048	GU-02043-01
8,5 – 19,2	4	GU-02075	GU-02053	GU-02054-01
8,5 – 20,2	5	GU-02076	GU-02053	GU-02054-01

NB: *Outputs are approximated, values can change depending on the densities and temperatures of the chemicals.*

Test fluid: *Mesamoll. Pressure 40- 250 bar.*

Dynamic stickiness: *100-130 mPa.s.*

Thickness: *from 1,04 to 1,07 Kg/L*

To see the components included in the Flat Mixing Chamber Assy, to consult the Table 13.

**Table 16. Standard TIP Sizes**

Standard TIP	Orifice Size mm	Pattern Width cm (*)
GU-02045-1910	0.48	10
GU-02045-1915	0.48	15
GU-02045-1920	0.48	20
GU-02045-1930	0.48	30
GU-02045-1935	0.48	35
GU-02045-1940	0.48	40
GU-02045-1945	0.48	45
GU-02045-2310	0.58	10
GU-02045-2315	0.58	15
GU-02045-2320	0.58	20
GU-02045-2325	0.58	25
GU-02045-2330	0.58	30
GU-02045-2335	0.58	35
GU-02045-2340	0.58	40
GU-02045-2720	0.69	20
GU-02045-2725	0.69	25
GU-02045-2730	0.69	30

Table 17. Reversible TIP Sizes

Reversible TIP	Orifice Size mm	Pattern Width cm (*)
GU-05016-2310	0.58	10
GU-05016-2320	0.58	20
GU-05016-2340	0.58	40
GU-05016-2720	0.69	20
GU-05016-2730	0.69	30
GU-05016-3520	0.90	20
GU-05016-3530	0.90	30
GU-05016-3540	0.90	40

(*) Values obtained with water to 130 bar of pressure and to 30 cm of the projected surface.

Delivery times for these elements, consult with the Marketing department.



Table 18. Standard Static Chamber and Mixing Element

Standard Static Chamber	Standard Mixing Element	Mixing Element Length
GU-02046-25	GU-02047-25	25
GU-02046-50	GU-02047-50	50
GU-02046-100	GU-02047-100	100
GU-02046-150	GU-02047-150	150
GU-02046-200	GU-02047-200	200
GU-02046-300	GU-02047-300	300
GU-02046-400	GU-02047-400	400
GU-02046-500	GU-02047-500	500

Table 19. Static Chamber and Mixing Element

Length	Static Chamber GU-04045	Labyrinth Mixing Element GU-04046	Seal GU-05019
65	1x	1x	1x
130	2x	2x	2x
195	3x	3x	3x
260	4x	4x	4x



Table 20. Cleanout Drill Size

Size	Round Mixing Chamber	Flat Mixing Chamber	Mixing Chamber Nozzle Cleanout Drill Size	Part Number	Mixing Chamber Port Cleanout Drill Seize	Part Number
000	GU-02035-00	-	1,000 (0,95)	HT-00027	0,700 (0,65)	HT-00079
00	GU-02011-000	-	1,130 (1,10)	HT-00104	0,800 (0,75)	HT-00023
0	GU-02011-00	GU-02071-00	1,321 (1,30)	HT-00062	0,910 (0,90)	HT-00063
1	GU-02012-00	GU-02072-00	1,588 (1,55)	HT-00064	1,092 (1,05)	HT-00065
2	GU-02013-00	GU-02073-00	1,780 (1,75)	HT-00029	1,320 (1,30)	HT-00062
3	GU-02014-00	GU-02074-00	2,261 (2,25)	HT-00030	1,600 (1,55)	HT-00064
4	GU-02015-00	GU-02075-00	2,514 (2,50)	HT-00013	1,854 (1,80)	HT-00014
5	GU-02016-00	GU-02076-00	3,175 (3,15)	HT-00089	2,261 (2,25)	HT-00030
A1	GU-02209-00	-	1,590 (1,55)	HT-00064	1,067 (1,05)	HT-00065
A0	GU-02205-00	-	1,520 (1,50)	HT-00066	0,850 (0,80)	HT-00087
A00	GU-02204-00	-	1,600 (1,55)	HT-00064	0,600 (0,55)	HT-00022

Note:

Diameter of hole, (between parenthesis, drill diameter).

(OPTIONAL) POUR ADAPTER

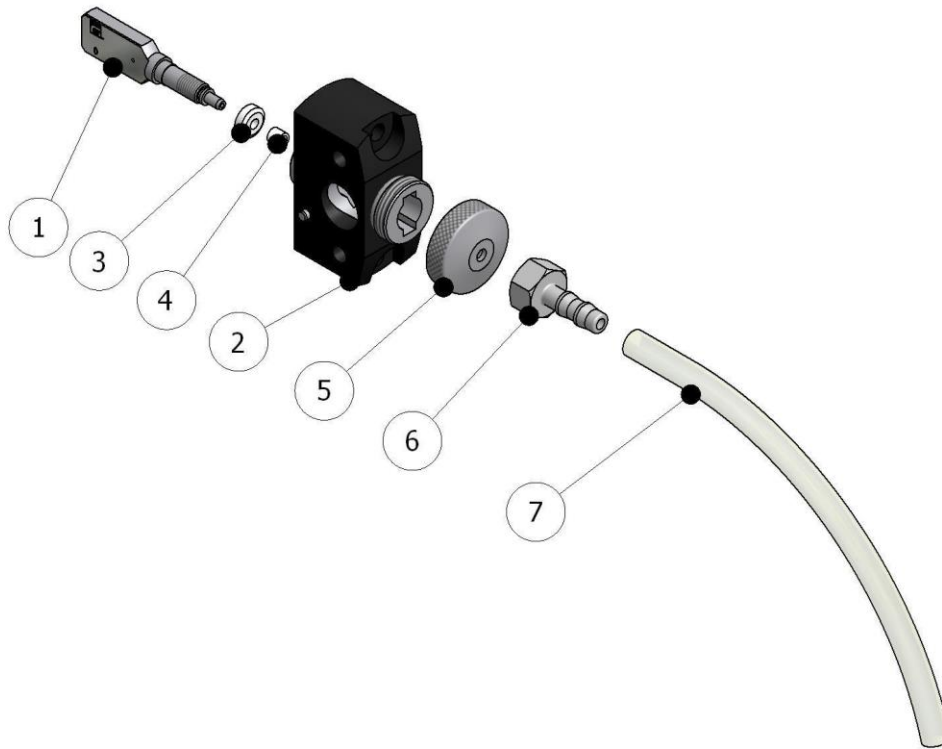


Figure 11. (OPTIONAL) Pour Adapter, Exploded View

Table 21. (OPTIONAL) Pour Adapter Assembly, Parts List

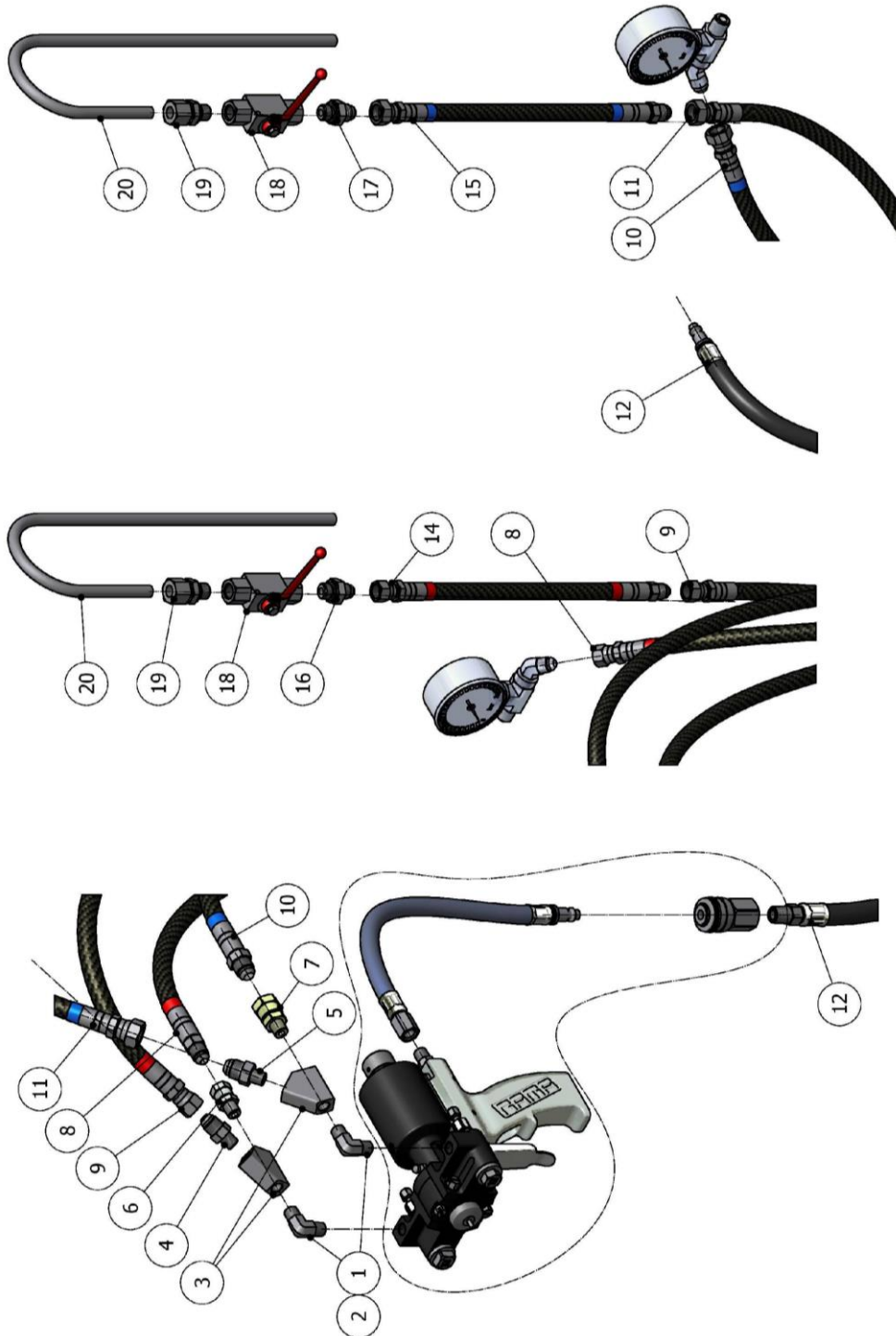
Item	Description	Part Number	Qty.
1	Mixing Chamber	See Table 15	1
2	Gun Block	GU-02004-00	1
3	Air Seal	GU-02022	1
4	Seal	See Table 15	
5	Air Cap	GU-02027	1
6	Pour Adapter	GU-02094-01	1
7	Pipe 1/4 " inside diameter	NE-00043-SIZE	1

To see the components included in the Flat Mixing Chamber Assy, to consult the Table 13.

The "SIZE" of item 7 is the wished length of pipe.



(OPTIONAL) RECIRCULATION KIT



**Figure 12. (OPTIONAL) Recirculation Kit, Exploded View
KT-00059-9**



**Table 22. (OPTIONAL) Recirculation Kit, Parts List
KT-00059-9**

Item.	Description	Part Number	Qty.
1	Nipple	RA-00112	2
2	Elbow	RA-00205	2
3	Manifold	RA-00464	2
4	Nipple	RA-00238	1
5	Nipple	RA-00237	1
6	Swivel (*)	RA-00005	1
7	Swivel (*)	RA-00006	1
8	Flex 10000 mm Supply ISO	MA-00060-3	1
9	Flex 10000 mm Recirculation ISO	MA-00060-2	1
10	Flex 10000 mm Supply POL	MA-00059-3	1
11	Flex 10000 mm Recirculation POL	MA-00059-2	1
12	Air Hose	MA-00194	1
13			
14	Flex 1000 mm Recirculation Extended ISO	MA-00177	1
15	Flex 1000 mm Recirculation Extended POL	MA-00178	1
16	Nipple	RA-00144	1
17	Nipple	RA-00145	1
18	Ball Valve	RA-00217	2
19	Swivel	RA-00218	2
20	Tube	MQ-06016	2
	Hose Cover 10000 mm	MA-00123	
	Insulating Cover 10000 mm	MA-00099	
	Insulating Cover 8000 mm	MA-00099-1	

(*) Parts included in the standard assembly of gun.



CONTENTS

Warranty _____	2
Safety and Handling _____	3
Standard Final Assembly _____	4
(OPTIONAL) Final Assembly _____	6
Metallic Seal Kit _____	8
Handle Assembly _____	9
(OPTIONAL) Magnetic switch Assembly _____	12
(OPTIONAL) Timer Assembly _____	13
(OPTIONAL) Automatic Assembly _____	15
Round Spray Pattern Assembly _____	17
Flat Spray Pattern Assembly _____	20
(OPTIONAL) Static Mixer Assembly _____	23
(OPTIONAL) Pour Adapter _____	28
(OPTIONAL) Recirculation Kit _____	29
Contents _____	31
List of Figures _____	31
List of Tables _____	32

LIST OF FIGURES

Figure 1. Standard Final Assembly, Exploded View _____	4
Figure 2. (OPTIONAL) Final Assembly, Exploded View _____	6
Figure 3. Metallic Seal Kit, Part Number GU-02031-04 _____	8
Figure 4. Handle Assembly, Exploded View _____	9
Figure 5. (OPTIONAL) Magnetic Switch Assembly, Exploded View _____	12
Figure 6. (OPTIONAL) Timer Assembly, Exploded View _____	13
Figure 7. (OPTIONAL) Automatic Assembly _____	15
Figure 8. Round Spray Tip Assembly, Exploded View _____	17
Figure 9. Flat Spray Tip Assembly, Exploded View _____	20
Figure 10. (OPTIONAL) Static Mixer Assembly, Exploded View _____	23
Figure 11. (OPTIONAL) Pour Adapter, Exploded View _____	28
Figure 12. (OPTIONAL) Recirculation Kit, Exploded View _____	29



LIST OF TABLES

Table 1. Standard Final Assembly, Parts List	5
Table 2. Standard Final Assembly, Parts List	7
Table 3. Metallic Seal Kit, Parts	8
Table 4. Handle Assembly, Parts	10
Table 5. (OPTIONAL) Magnetic Switch Assembly Parts List	12
Table 6. (OPTIONAL) Timer Assembly, Parts List	14
Table 7. (OPTIONAL) Automatic Assembly, Parts List	16
Table 8. Round Spray Tip Assembly, Parts List	17
Table 9. Round Tip Assembly, Parts List	18
Table 10. List of Components Included in Round Mixing Chamber Assy	19
Table 11. Flat Spray Tip Assembly, Parts List	20
Table 12. Parts List According to Production Flat Mixing Chamber	21
Table 13. List of Components Included in Flat Mixing Chamber Assy	22
Table 14. (OPTIONAL) Static Mixer Assembly, Parts List	23
Table 15. Parts List According to Production	24
Table 16. Standard TIP Sizes	25
Table 17. Reversible TIP Sizes	25
Table 18. Standard Static Chamber and Mixing Element	26
Table 19. Static Chamber and Mixing Element	26
Table 20. Cleanout Drill Size	27
Table 21. (OPTIONAL) Pour Adapter Assembly, Parts List	28
Table 22. (OPTIONAL) Recirculation Kit, Parts List	30