

(Annex I)  
Parts Manual  
Manual Air Clean Kit  
Options for Spray Gun  
G-DI Series

Issue 1.5 24/01/22  
Ref. NR-00110-ENG



***Before starting or doing maintenance on the G-DI gun, carefully read all of the technical and safety documentation included in the Service Manual. Special attention should be paid to the information in order to know and understand the handling and conditions of use of the gun. This information is aimed at USER SAFETY and the PREVENTION OF PROBLEMS.***



## WARRANTY

HI-TECH SPRAY EQUIPMENT, S. A. (hereinafter "HI-TECH") grants this Limited Guarantee to the original buyer (hereinafter the "Client") for the unit and the original accessories given with the unit (hereinafter the "Product") against any fault in the design, materials or manufacture of the Product at the time of the first purchase by the user and for a duration of two (2) years thereafter.

If during the guarantee period and under normal conditions of use, the Product should fail to work correctly due to defects of design, material or manufacture, the authorised distributor of the country where the HI-TECH Product or technical assistance service has been purchased shall repair or replace the Product in accordance with what is established in the following:

### CONDITIONS

- a) The validity of this guarantee will be subject to the presentation of the original invoice issued by the HI-TECH authorised distributor for the sale of the Product along with the Product handed over for repair or replacement, which must show the date of purchase and the serial number. HI-TECH reserves the right to refuse to give the guarantee service when the indicated data fail to appear on the invoice or have been modified after the purchase of the Product.
- b) The repaired or replaced Product will continue to maintain the original guarantee for the time remaining until the end of the guarantee or for three (3) months from the repair date, if the remaining period of the original guarantee were shorter.
- c) This guarantee will not be applied to the faults in the Product caused by its faulty installation, the natural wear and tear of the components, any use other than that considered normal for this Product or which should fail to strictly comply with the instructions of use provided by HI-TECH; due to accident, carelessness, adjustments, alterations or modifications of the Product not authorised by HI-TECH or due to the use of accessories, heating devices, pumping equipment and/or dispensers that have not been approved or manufactured by HI-TECH.
- d) The guarantee applicable to the components and accessories forming part of the Product and which have not been made by HI-TECH will be limited to the guarantee offered by the original manufacturer thereof.

**HI-TECH WILL NOT RECOGNISE ANY EXPRESS ORAL OR WRITTEN GUARANTEES OTHER THAN THIS PRINTED LIMITED GUARANTEE. ALL IMPLICIT GUARANTEES, INCLUDING, WITHOUT LIMIT, ADAPTATION FOR A SPECIFIC USE, ARE SUBJECT TO THE DURATION OF THIS WRITTEN GUARANTEE. HI-TECH DOES NOT ASSUME ANY KIND OF COMMITMENT OR RESPONSIBILITY FOR ALL POSSIBLE DAMAGE OR EXPENSE CAUSED BY FAULTS IN THE OUTPUT OF THE PRODUCT, ITS WORKING OR THE DISPENSING OF MATERIAL THROUGH THE PRODUCT, INCLUDING, WITHOUT LIMITATION, ALL EXPENSES CAUSED BY DAMAGE TO PEOPLE OR PROPERTY. EQUALLY, HI-TECH WILL IN NO CASE ACCEPT LIABILITY FOR THE LOSS OF SPECULATIVE PROFITS OR COMMERCIAL LOSSES. ALL REPAIRS OR REPLACEMENT OF FAULTY PRODUCTS WILL CONSTITUTE THE COMPREHENSIVE FULFILMENT OF HI-TECH'S OBLIGATIONS WITH RESPECT TO THE CLIENT. HI-TECH DOES NOT IN ANY WAY GUARANTEE THE SUITABILITY OR APTITUDE OF ITS PRODUCT FOR ANY PARTICULAR PURPOSE OR APPLICATION.**

All information provided on components which have not been manufactured by HI-TECH and which is based on reports received from the original manufacturer, though considered precise and reliable, is provided without any guarantee or responsibility of any explicit or implicit kind.

All concession, sale or financial leasing of the Product by HI-TECH in no case explicitly or implicitly constitutes any authorisation, acceptance or concession for the use of any rights or patents, nor does it encourage, nurture or back their infringement.

The restrictions on the guarantee suppose no limitation on the legal rights of the consumer established in applicable national legislation, nor do they affect any rights derived from the bargain and sale agreement between the consumer and supplier.

All information provided in this manual has been included in the confidence that it is true, although it does not constitute any responsibility or implicit or explicit guarantee. HI-TECH reserves the right at any time and without prior warning to make all improvements and modifications necessary to this manual, in order to rectify any possible typographical errors, increase the information contained or insert the changes caused to the characteristics and performance of the unit.



## **SAFETY AND HANDLING**

The equipment described in this manual has been designed and manufactured in compliance with the following European Directives, following as application guide the harmonized standards detailed and in conformity with the relevant UK Statutory Instruments (and their amendments):

**Directive 2006/42/EC on machinery (UK Supply of Machinery (Safety) Regulations 2008)**

UNE EN 12100:2012 (BS EN ISO 12100:2010)

UNE EN 1953:2013 (BS EN 1953:2013)

**Directive 2014/68/EU on pressure equipment (UK Pressure Equipment (Safety) Regulations 2016)**

UNE EN 809:1999 +A1 (BS EN 809:1998 +A1:2009)

**Directive 2011/65/EU on the restriction of the use of certain hazardous substances in electrical and electronic equipment with amendment 2015/863/EU (UK The Restriction of the Use of Certain Hazardous Substances in Electrical and Electronic Equipment Regulations 2012)**

**Directive 2012/19/EU on waste electrical and electronic equipment (UK The Waste Electrical and Electronic Equipment Regulations 2013)**



Electrical products cannot be thrown out with the rubbish. They must be taken to a dedicated collection point for an environmentally sound disposal in accordance with local regulations. You must contact your local collective or retailer for information about recycling. Before leaving WEEE at appropriate collection facilities, batteries must be removed and disposed of separately for proper recycling. The packaging materials are recyclable. Dispose of packaging materials in an environmentally sound manner and place them at the disposal of recycling sectors.

### **TRANSPORT AND STORAGE**

Proper precautions must be taken so that the equipment can withstand the effects of transport and storage temperatures between -25°C and +55°C or up to +70°C for short periods that do not exceed 24 hours. Also, appropriate means to prevent damage from moisture, vibrations or shocks must be foreseen.

## CLEANLINESS KIT WITH AIR, FOR G-DI GUN WITH POUR

ORIGINAL MANUAL

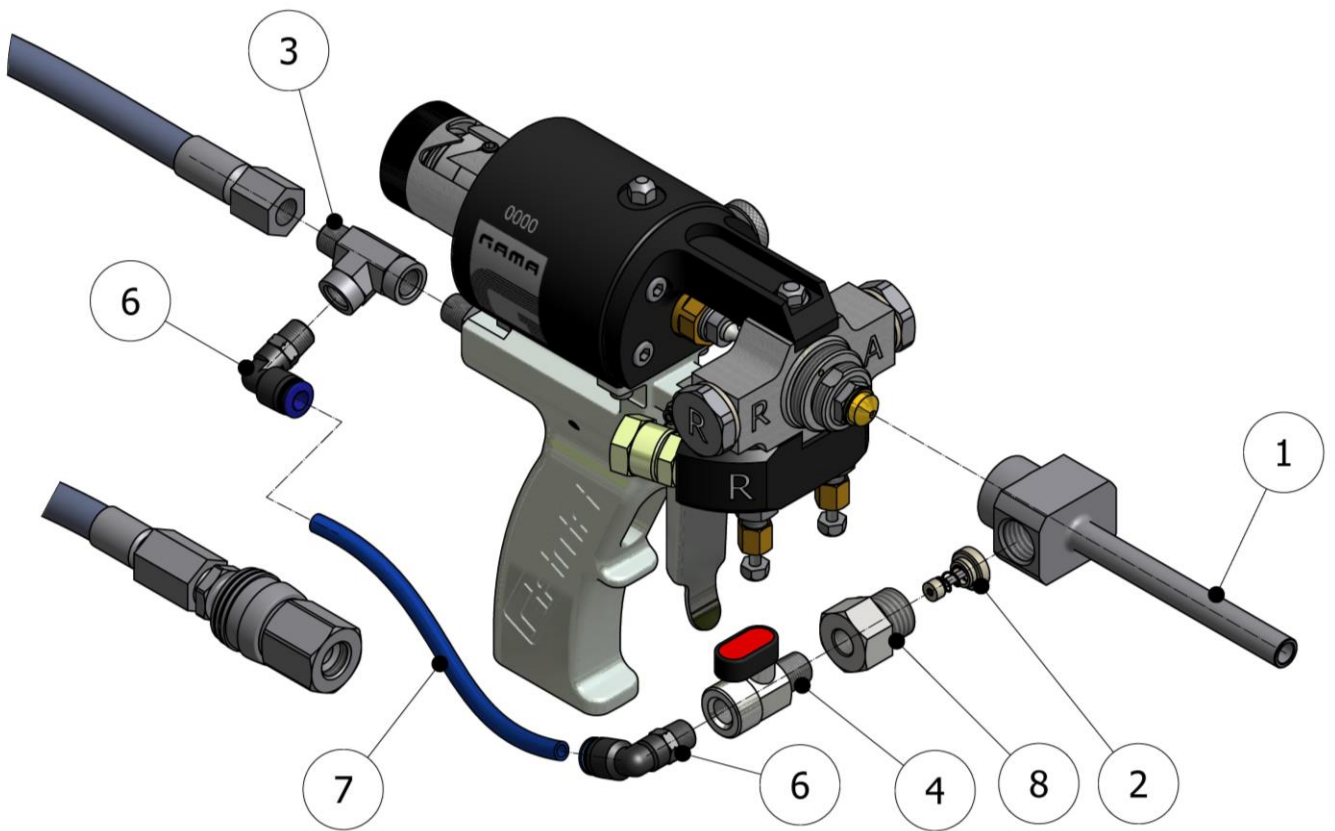


Figure 1. Cleanliness Kit with Air for G-DI Gun with Pour Adapter #KT-00132



**Table 1. Cleanliness Kit with Air, Parts List.  
for G-DI Gun with Pour Adapter, #KT-00132**

Item.	Description	Reference	Qty.
1	Pour Adapter Body with Cleanliness	GU-04055A	1
2	Check Valve Assy	GU-03010-00A	1
3	"T" Adapter	RA-00204	1
4	Ball Valve	RA-00240	1
5			
6	Elbow 90°	RA-00093	2
7	Pneumatic Tube	MA-00070	1 @
8	Check Valve Adapter	GU-04055B	1
9	PCD Round Version	GU-04023-23RL	(*)

**N.B.:**

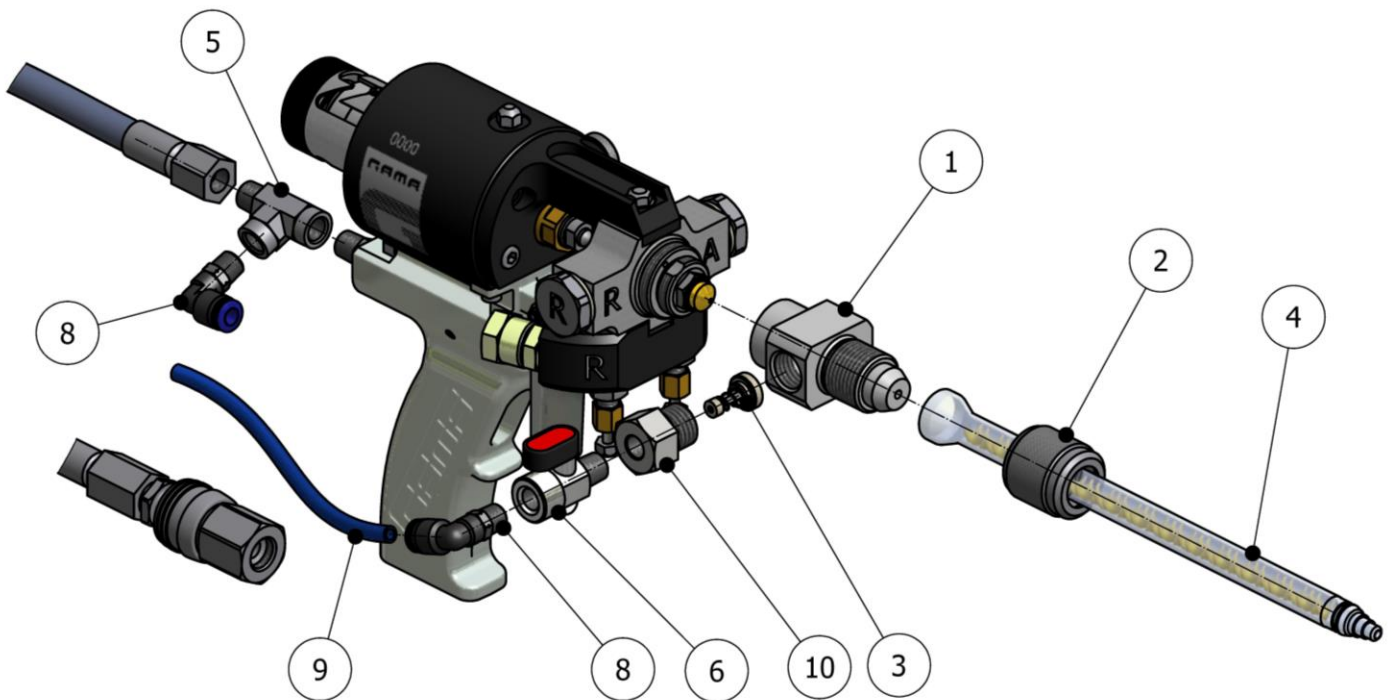
**(\*) The item 9 are not supplied with the Kit.**

**(@) Item 7 are 1 unit x 250 mm (length)**

**This Kit replace the KT-00094 old version.**

**Consult the Marketing department for delivery times for these elements.**

**CLEANLINESS KIT WITH AIR, FOR G-DI GUN WITH STATIC MIXER (LOW PRESSURE)**



**Figure 2. Cleanliness Kit with Air for G-DI Gun with Static Mixer (Low P.)  
#KT-00133-01**



**Table 2. Cleanliness Kit with Air, Parts List.  
for G-DI Gun with Static Mixer (Low Pressure), #KT-00133-01**

<b>Item.</b>	<b>Description</b>	<b>Reference</b>	<b>Qty.</b>
1	Adapter Body with Cleanliness	GU-04066A	1
2	Static Mixer Nut	GU-05013	1
3	Check Valve Assy	GU-03010-00A	1
4	Static Mixer	GU-05014-01	1
5	"T" Adapter	RA-00204	1
6	Ball Valve	RA-00240	1
7			
8	Elbow 90°	RA-00093	2
9	Pneumatic Tube	MA-00070	1 @
10	Check Valve Adapter	GU-04055B	1
11	PCD Round Version	GU-04023-23RL	(*)

**N.B.:**

**(\*) The item 11 are not supplied with the Kit.**

**(@) Item 9 are 1 unit x 250 mm (length)**

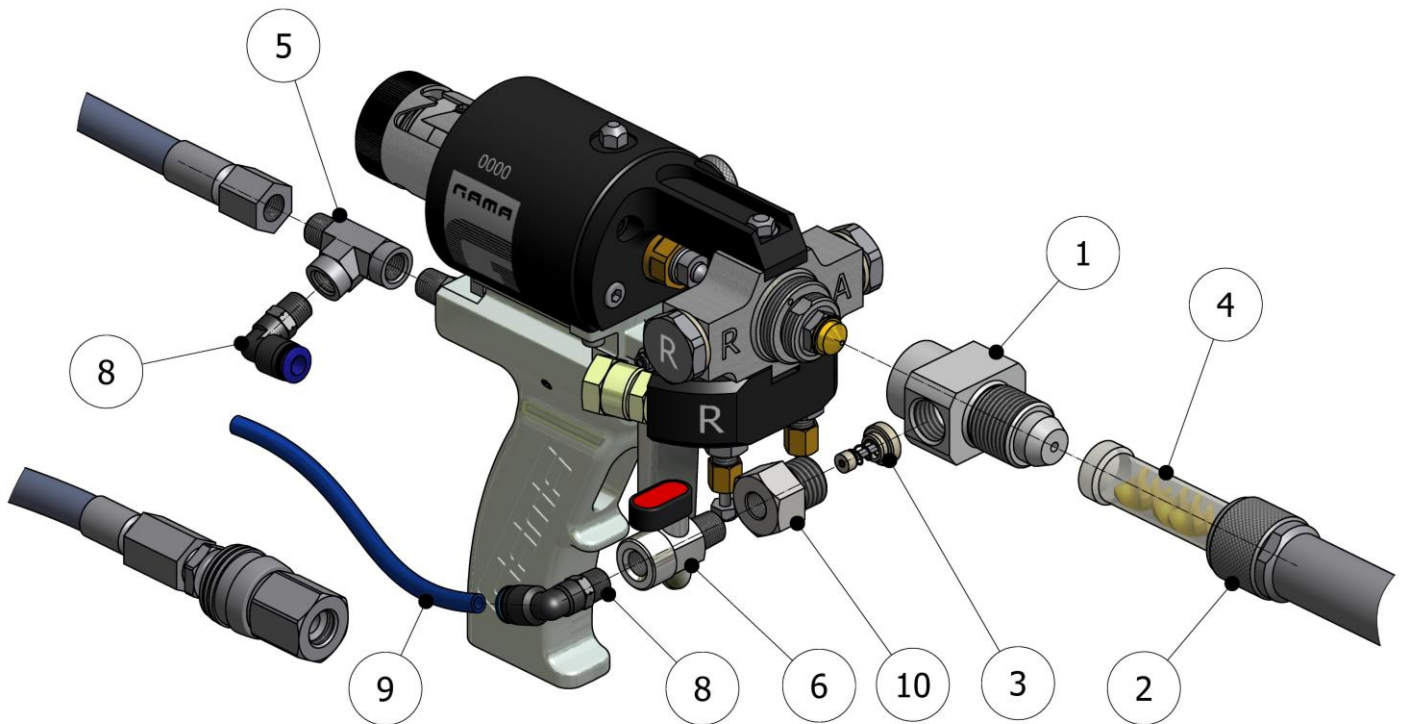
**This Kit replace the KT-00123-01 old version.**

**Consult the Marketing department for delivery times for these elements.**



**CLEANLINESS KIT WITH AIR, FOR G-DI GUN WITH STATIC MIXER (HIGH PRESSURE)**

ORIGINAL MANUAL



**Figure 3. Cleanliness Kit with Air for G-DI Gun with Static Mixer (High P.)  
#KT-00133-02**





**Table 3. Cleanliness Kit with Air, Parts List.  
for G-DI Gun with Static Mixer (High Pressure), #KT-00133-02**

<b>Item.</b>	<b>Description</b>	<b>Reference</b>	<b>Qty.</b>
1	Adapter Body with Cleanliness	GU-04066A	1
2	Static Mixer Jacket	GU-05029	1
3	Check Valve Assy	GU-03010-00A	1
4	Static Mixer	PU-09002-01	1
5	"T" Adapter	RA-00204	1
6	Ball Valve	RA-00240	1
7			
8	Elbow 90°	RA-00093	2
9	Pneumatic Tube	MA-00070	1 @
10	Check Valve Adapter	GU-04055B	1
11	PCD Round Version	GU-04023-23RL	(*)

***N.B.:***

***(\*) The item 11 are not supplied with the Kit.***

***(@) Item 9 are 1 unit x 250 mm (length)***

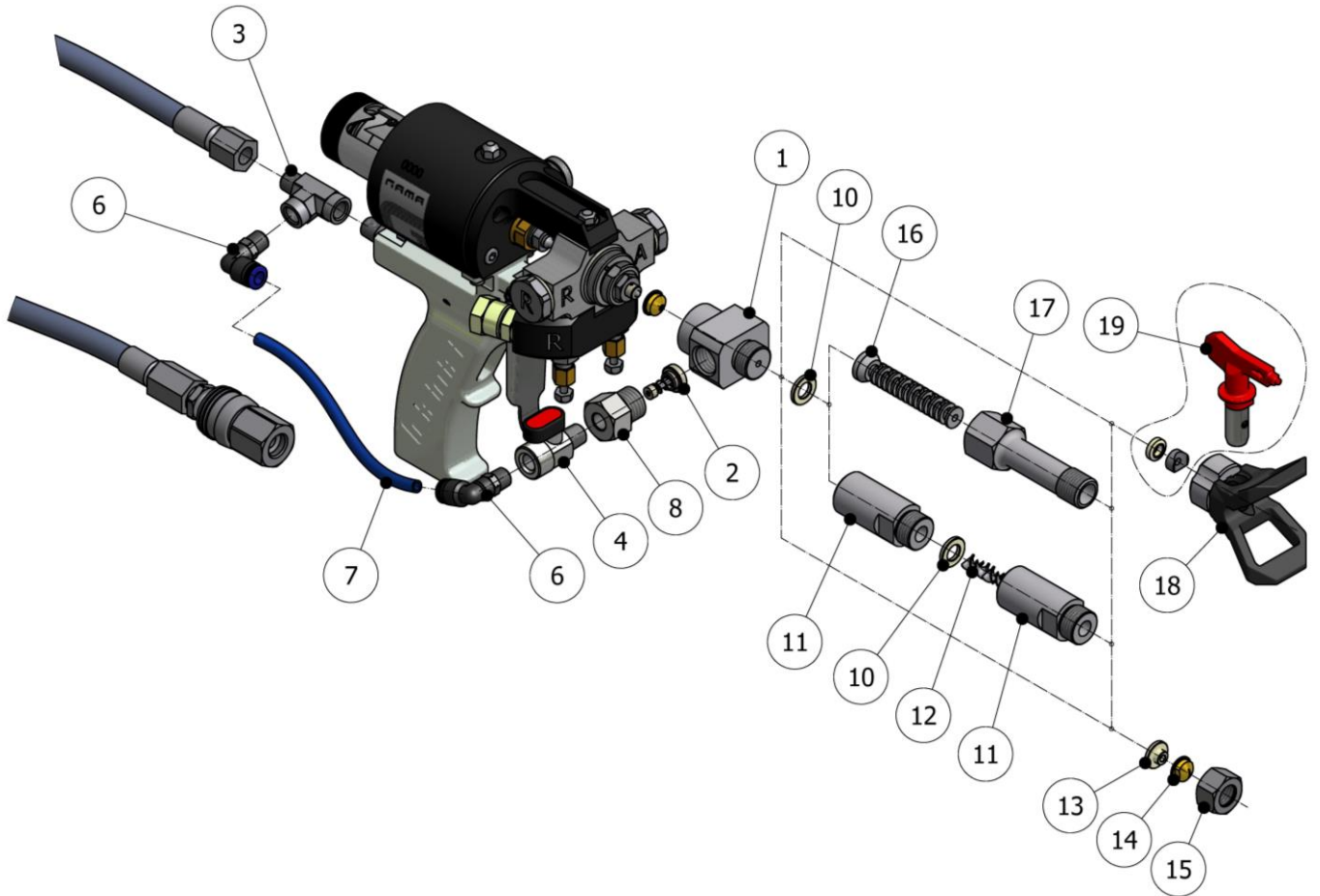
***This Kit replace the KT-00123-02 old version.***

***Consult the Marketing department for delivery times for these elements.***



**CLEANLINESS KIT WITH AIR, FOR G-DI GUN WITH METAL  
STATIC MIXER**

ORIGINAL MANUAL



**Figure 4. Cleanliness Kit with Air for G-DI Gun with Metal Static Mixer  
#KT-00134**



**Table 4. Cleanliness Kit with Air, Parts List.  
for G-DI Gun with Metal Static Mixer, #KT-00134**

Item.	Description	Reference	Qty.
1	Adapter Body with Cleanliness	GU-04044A	1
2	Check Valve Assy	GU-03010-00A	1
3	“T” Adapter	RA-00204	1
4	Ball Valve	RA-00240	1
5			
6	Elbow 90°	RA-00093	2
7	Pneumatic Tube	MA-00070	1 @
8	Check Valve Adapter	GU-04055B	1
9	PCD Seal	GU-04043	(*)
10	Seal	GU-05019	(*)
11	Modular Mixer Sleeve	GU-05018-50	(*)
12	Mixer Drill	GU-02047-XXX	(*)
13	PCD Base Seal	GU-04039	(*)
14	PCD	GU-04024-XXXX	(*)
15	PCD Nut	GU-04047	(*)
16	Labyrinth Type Mixer	GU-04046	(*)
17	Labyrinth Mixer Sleeve	GU-04045	(*)
18	Nozzle Guard	GU-05017	(*)
19	Reversible Tip Unit (includes Seal and Seat)	GU-05016-XXXX	(*)
20	PCD Round Version	GU-04023-23RL	(*)

**N.B.:**

**(\*) The indicated items are not supplied with the Kit.**

**For rest of items, see the chapter “Special Projection Assemblies” of the NR-00028-ENG Parts Manual of G-DI Gun.**

**(@) Item 7 are 1 unit x 250 mm (length)**

**Consult the Marketing department for delivery times for these elements.**



## CONTENT

Warranty	2
Safety and Handling	3
Cleanliness Kit with Air, for G-DI Gun with Pour	4
Cleanliness Kit with Air, for G-DI Gun with Static Mixer (Low Pressure)	6
Cleanliness Kit with Air, for G-DI Gun with Static Mixer (High Pressure)	8
Cleanliness Kit with Air, for G-DI Gun with metal Static Mixer	10
Content	12
List of Figures	12
List of Tables	12

## LIST OF FIGURES

Figure 1. Cleanliness Kit with Air for G-DI Gun with Pour Adapter #KT-00132	4
Figure 2. Cleanliness Kit with Air for G-DI Gun with Static Mixer (Low P.) #KT-00133-01	6
Figure 3. Cleanliness Kit with Air for G-DI Gun with Static Mixer (High P.) #KT-00133-02	8
Figure 4. Cleanliness Kit with Air for G-DI Gun with Metal Static Mixer #KT-00134	10

## LIST OF TABLES

Table 1. Cleanliness Kit with Air, Parts List.	5
Table 2. Cleanliness Kit with Air, Parts List.	7
Table 3. Cleanliness Kit with Air, Parts List.	9
Table 4. Cleanliness Kit with Air, Parts List.	11