

Parts Manual

Vertical Proportioning Pump for Hydraulic & Pneumatic Units

Issue 3.4 05/07/23
Ref. NR-00045-ENG



Before installing the unit and starting it up, carefully read all the technical and safety documentation included in the Manual Service. Pay special attention to the information to know and understand the handling and the conditions of use of the unit. All the information is aimed at enhancing User Safety and avoiding possible breakdowns derived from the incorrect use of the unit.



Vertical Proportioning Pump for Hydraulic & Pneumatic Units

Parts Manual

WARRANTY

HI-TECH SPRAY EQUIPMENT, S. A. (hereinafter "HI-TECH") grants this Limited Guarantee to the original buyer (hereinafter the "Client") for the unit and the original accessories given with the unit (hereinafter the "Product") against any fault in the design, materials or manufacture of the Product at the time of the first purchase by the user and for a duration of two (2) years thereafter.

If during the guarantee period and under normal conditions of use, the Product should fail to work correctly due to defects of design, material or manufacture, the authorised distributor of the country where the HI-TECH Product or technical assistance service has been purchased shall repair or replace the Product in accordance with what is established in the following:

CONDITIONS

- a) The validity of this guarantee will be subject to the presentation of the original invoice issued by the HI-TECH authorised distributor for the sale of the Product along with the Product handed over for repair or replacement, which must show the date of purchase and the serial number. HI-TECH reserves the right to refuse to give the guarantee service when the indicated data fail to appear on the invoice or have been modified after the purchase of the Product.
- b) The repaired or replaced Product will continue to maintain the original guarantee for the time remaining until the end of the guarantee or for three (3) months from the repair date, if the remaining period of the original guarantee were shorter.
- c) This guarantee will not be applied to the faults in the Product caused by its faulty installation, the natural wear and tear of the components, any use other than that considered normal for this Product or which should fail to strictly comply with the instructions of use provided by HI-TECH; due to accident, carelessness, adjustments, alterations or modifications of the Product not authorised by HI-TECH or due to the use of accessories, heating devices, pumping equipment and/or dispensers that have not been approved or manufactured by HI-TECH.
- d) The guarantee applicable to the components and accessories forming part of the Product and which have not been made by HI-TECH will be limited to the guarantee offered by the original manufacturer thereof.

HI-TECH WILL NOT RECOGNISE ANY EXPRESS ORAL OR WRITTEN GUARANTEES OTHER THAN THIS PRINTED LIMITED GUARANTEE. ALL IMPLICIT GUARANTEES, INCLUDING, WITHOUT LIMIT, ADAPTATION FOR A SPECIFIC USE, ARE SUBJECT TO THE DURATION OF THIS WRITTEN GUARANTEE. HI-TECH DOES NOT ASSUME ANY KIND OF COMMITMENT OR RESPONSIBILITY FOR ALL POSSIBLE DAMAGE OR EXPENSE CAUSED BY FAULTS IN THE OUTPUT OF THE PRODUCT, ITS WORKING OR THE DISPENSING OF MATERIAL THROUGH THE PRODUCT, INCLUDING, WITHOUT LIMITATION, ALL EXPENSES CAUSED BY DAMAGE TO PEOPLE OR PROPERTY. EQUALLY, HI-TECH WILL IN NO CASE ACCEPT LIABILITY FOR THE LOSS OF SPECULATIVE PROFITS OR COMMERCIAL LOSSES. ALL REPAIRS OR REPLACEMENT OF FAULTY PRODUCTS WILL CONSTITUTE THE COMPREHENSIVE FULFILMENT OF HI-TECH'S OBLIGATIONS WITH RESPECT TO THE CLIENT. HI-TECH DOES NOT IN ANY WAY GUARANTEE THE SUITABILITY OR APTITUDE OF ITS PRODUCT FOR ANY PARTICULAR PURPOSE OR APPLICATION.

All information provided on components which have not been manufactured by HI-TECH and which is based on reports received from the original manufacturer, though considered precise and reliable, is provided without any guarantee or responsibility of any explicit or implicit kind.

All concession, sale or financial leasing of the Product by HI-TECH in no case explicitly or implicitly constitutes any authorisation, acceptance or concession for the use of any rights or patents, nor does it encourage, nurture or back their infringement.

The restrictions on the guarantee suppose no limitation on the legal rights of the consumer established in applicable national legislation, nor do they affect any rights derived from the bargain and sale agreement between the consumer and supplier.

All information provided in this manual has been included in the confidence that it is true, although it does not constitute any responsibility or implicit or explicit guarantee. HI-TECH reserves the right at any time and without prior warning to make all improvements and modifications necessary to this manual, in order to rectify any possible typographical errors, increase the information contained or insert the changes caused to the characteristics and performance of the unit.

Vertical Proportioning Pump for Hydraulic & Pneumatic Units



Parts Manual

SAFETY AND HANDLING

The equipment described in this manual has been designed and manufactured in compliance with the following European Directives, following as application guide the harmonized standards detailed and in conformity with the relevant UK Statutory Instruments (and their amendments):

Directive 2006/42/EC on machinery (UK Supply of Machinery (Safety) Regulations 2008)

UNE EN 12100:2012 (BS EN ISO 12100:2010)

Directive 2014/68/EU on pressure equipment (UK Pressure Equipment (Safety) Regulations 2016)

UNE EN 809:1999 +A1 (BS EN 809:1998 +A1:2009)

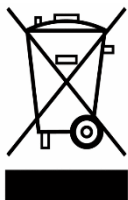
Directive 2003/10/EC on noise level (UK The Control of Noise at Work Regulations 2005)

UNE EN ISO 3740 (BS EN ISO 3740:2019)

UNE EN ISO 3746 (BS EN ISO 3746:2010)

Directive 2011/65/EU on the restriction of the use of certain hazardous substances in electrical and electronic equipment with amendment 2015/863/EU (UK The Restriction of the Use of Certain Hazardous Substances in Electrical and Electronic Equipment Regulations 2012)

Directive 2012/19/EU on waste electrical and electronic equipment (UK The Waste Electrical and Electronic Equipment Regulations 2013)



Electrical products cannot be thrown out with the rubbish. They must be taken to a dedicated collection point for an environmentally sound disposal in accordance with local regulations. You must contact your local collective or retailer for information about recycling. Before leaving WEEE at appropriate collection facilities, batteries must be removed and disposed of separately for proper recycling. The packaging materials are recyclable. Dispose of packaging materials in an environmentally sound manner and place them at the disposal of recycling sectors.

TRANSPORT AND STORAGE

Proper precautions must be taken so that the equipment can withstand the effects of transport and storage temperatures between -25°C and +55°C or up to +70°C for short periods that do not exceed 24 hours. Also, appropriate means to prevent damage from moisture, vibrations or shocks must be foreseen.



PROPORTIONING PUMP PNEUMATIC & HYDRAULIC UNITS



Figure 1. Proportioning Pump Pneumatic & Hydraulic Units

Table 1. "A" Proportioning Pump Assy Size, Parts List

Pump SIZE	Easy Spray – H ESH150-SP (Hydraulic)	Easy-Spray G-125/200 A ES-125 A (Pneumatic)	Hydraulic & Pneumatic Units
	IN DISUSE		ACTUAL
2.9			PU-02015-ESG
3.2	PU-02011-AESH	PU-02011-AES	
4.5 (*)	PU-02001-AESH	PU-02001-AES	PU-02001-ESG
4.7		PU-02009-AES	
5.1		PU-02005-AES	
5.7		PU-02002-AES	
6.3		PU-02003-AES	PU-02003-ESG
6.7		PU-02006-AES	PU-02006-ESG
7.2	PU-02013-AESH	PU-02013-AES	
7.6 (#)	PU-02000-AESH	PU-02000-AES	PU-02000-ESG
9.0	PU-02012-AESH	PU-02012-AES	PU-02012-ESG
11.8			PU-02016-ESG
13,5			PU-02014-ESG

(*) #4.5 Standard Pump Size for G-200 A, Easy Spray-H y Easy-Spray.

(#) #7.6 Standard Pump Size for Compact ES-125 A y G-125 A.

Different sizes are available under order. For delivery time, please consult with Marketing department.

The ISO & POL Pump are equal, and the accessories are not included in the assembly of the Pump because they can be changed depending on the final assembly in the Unit (see specific manual of each Unit).

**HYDRAULIC & PNEUMATIC PROPORTIONING PUMP
(OLD ASSEMBLIES IN DISUSE)**

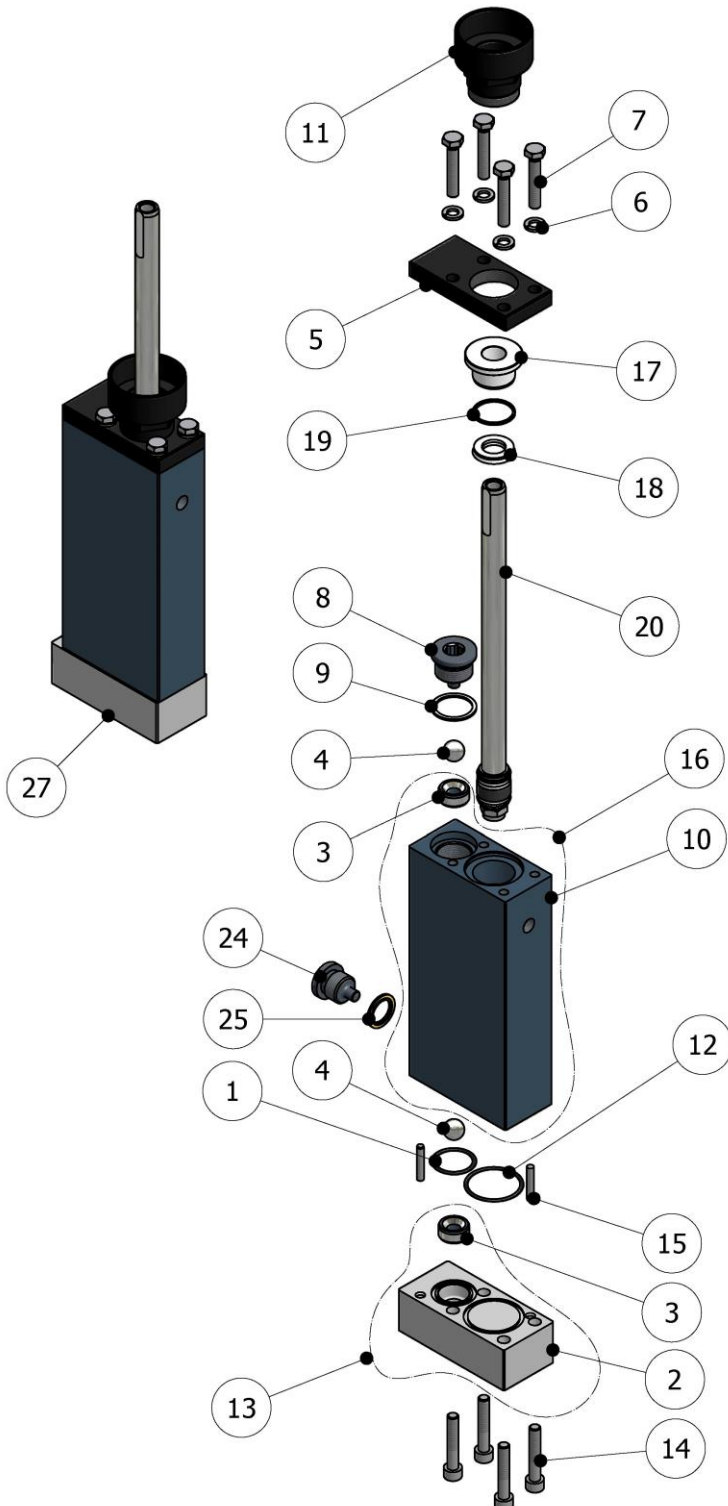


Figure 2. Proportioning Pump (old assemblies in disuse), Exploded View



Vertical Proportioning Pump for Hydraulic & Pneumatic Units

Parts Manual

Table 2. Proportioning Pump (old assemblies in disuse), Parts List

Ref.	Description	Part Number	Qty.
1	O-Ring	OR-00014	1
2	Base Plate	PU-02000-01	1
3	Check Valve Assembly	PU-02000-09	1+1
4	Valve Ball	TN-00012	2
5	Packing Retainer	See Table 3	1
6	Lock Washer	TN-00028	4
7	Socket Head Cap Screw	TN-00051	4
8	Plug	PU-02000-21	1
9	Seal	PU-02000-27	1
10	Pump Body	See Table 3	1
11	Parking Nut W/Lube Cup	See Table 3	1
12	O-Ring	OR-00013	1
13	Pump Base With Check Valve Assembly	PU-02000-01A	1
14	Socket Head Cap Screw	TN-00046	4
15	Dowel Pin	TN-00042	2
16	Pump Body With Check Valve Assembly	See Table 3	1
17	Bearing (▲)	See Table 3	1
18	Cylinder Seal (▲)	See Table 3	1
19	O-Ring (▲)	See Table 3	1
20	Piston Rod Assembly	See Note	1
24	Plug	PU-02000-10	1
25	O-Ring	OR-00023	1
	Dowel Pin (no indicated in Fig,2)	TN-00055	2

Note:

Piston Rod Assy Ref.20 for Pneumatic Units See pg.8

Piston Rod Assy Ref.20 for Hydraulic Units See pg.12

(▲) Parts included in the Repair Seal kit that containing the units for 1 pump set (see Table 6 for pneumatic units or Table 9 for hydraulic units).

Quantities for 1 unit Pump.

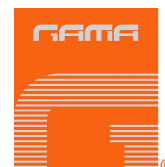


Table 3. Components Variable SIZE, Parts List

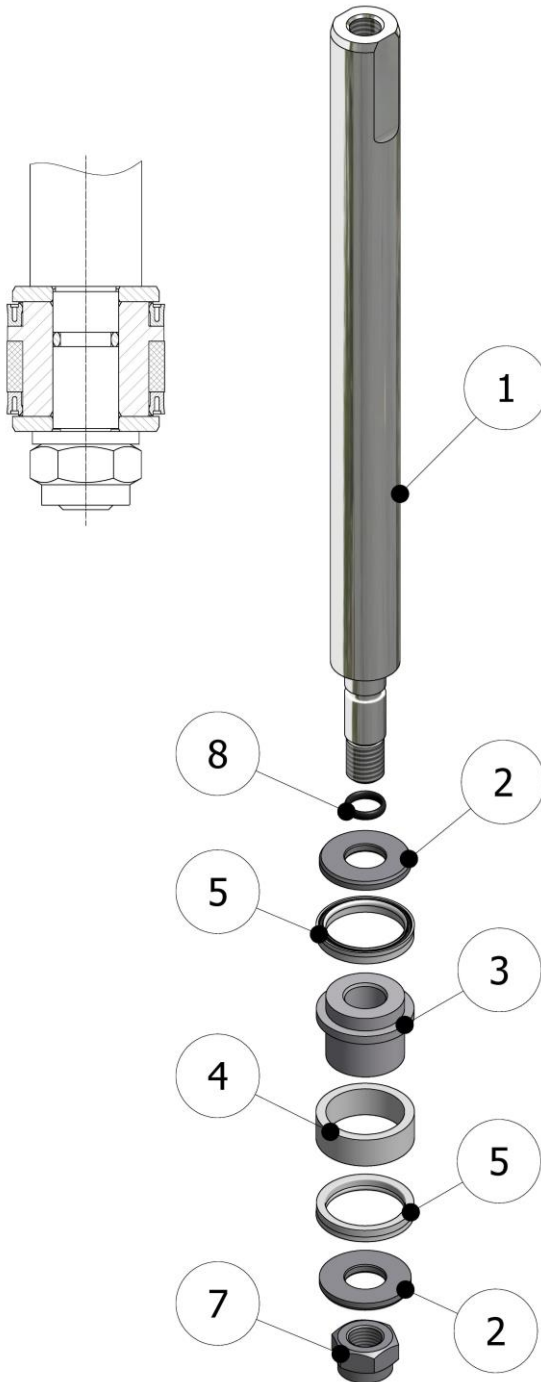
Ref.	Size 9.0	(#) Size 7.6	Size 7.2	Size 6.7	Size 6.3
16	PU-02012-02A	PU-02000-02A	PU-02013-02A	PU-02006-02A	PU-02003-02A
10	PU-02012-02	PU-02000-02	PU-02013-02	PU-02006-02	PU-02003-02
5	PU-02012-03	PU-02000-03	PU-02000-03	PU-02000-03	PU-02000-03
11	PU-02012-31	PU-02000-31	PU-02000-31	PU-02000-31	PU-02000-31
17 ▲	PU-02012-30	PU-02000-30	PU-02013-30	PU-02006-30	PU-02003-30
19 ▲	OR-00032	OR-00021	OR-00021	OR-00021	OR-00021
18 ▲	OR-00155	OR-00116	OR-00163	-	-

Ref.	Size 5.7	Size 5.1	Size 4.7	(*) Size 4.5	Size 3.2
16	PU-02002-02A	PU-02005-02A	PU-02009-02A	PU-02001-02A	PU-02011-02A
10	PU-02002-02	PU-02005-02	PU-02009-02	PU-02001-02	PU-02011-02
5	PU-02000-03	PU-02000-03	PU-02000-03	PU-02000-03	PU-02000-03
11	PU-02000-31	PU-02000-31	PU-02001-31	PU-02001-31	PU-02001-31
17 ▲	PU-02002-30	PU-02005-30	PU-02009-30	PU-02001-30	PU-02011-30
19 ▲	OR-00021	OR-00021	OR-00125	OR-00125	OR-00125
18 ▲	-	-	-	OR-00117	OR-00144

N.B.: (#) Standard Pump for G-125 A & Compact ES-125 A #7.6 SIZE, for G-200 A & Easy Spray #4.5 SIZE (*). Different sizes are available under order. For delivery time, please consult with Marketing department.

(▲) Parts included in the Repair Seal kit that containing the units for 1 pump set (see Table 6 for pneumatic units or Table 9 for hydraulic units).

PNEUMATIC PISTON ROD ASSEMBLY (OLD MODEL DISCONTINUED)



*Figure 3. Pneumatic Piston Rod Assembly (old model discontinued),
Exploded View*

Vertical Proportioning Pump for Hydraulic & Pneumatic Units



Parts Manual

Table 4. Pneumatic Piston Rod Assembly (old model discontinued), Parts List

Ref.	Description	Part Number	Qty.
1	Pump Piston Rod	See Table 5	1
2	Washer	See Table 5	2
3	Piston Seal Support	See Table 5	1
4	Piston Seal (▲)	See Table 5	1
5	O-Ring (▲)	See Table 5	2
6			
7	Nut	See Table 5	1
8	O-Ring (▲)	See Table 5	1

(▲) Parts included in the Repair Seal Kit. It includes the parts for 1 pump set.

(see Table 6 for the Repair Seal Kit for pneumatic units, old model).



Vertical Proportioning Pump for Hydraulic & Pneumatic Units

Parts Manual

Table 5. Pneumatic Piston Rod Size (old model discontinued), Parts List

Pump	Ref. 1	Ref. 2	Ref. 3	Ref. 4 ▲
9.0	PU-02012-06	PU-02012-08	PU-02012-07	OR-00154
7.6 (#)	PU-02000-06	PU-02000-08	PU-02000-07	OR-00016
6.7	PU-02006-06	PU-02006-08	PU-02006-07	OR-00086
6.3	PU-02003-06	PU-02003-08	PU-02003-07	OR-00078
5.7	PU-02002-06	PU-02002-08	PU-02002-07	OR-00059
5.1	PU-02005-06	PU-02005-08	PU-02005-07	OR-00080
4.7	PU-02009-06	PU-02009-08	PU-02009-07	OR-00105
4.5 (*)	PU-02001-06	PU-02001-08	PU-02001-07	OR-00050
3.2	PU-02011-06	PU-02010-08	PU-02010-07	OR-00145

Pump	Ref. 5 ▲	Ref. 6	Ref. 7	Ref. 8 ▲
9.0			TN-00030	OR-00015
7.6 (#)	OR-00017		TN-00030	OR-00015
6.7	OR-00085		TN-00165	OR-00049
6.3	OR-00077		TN-00165	OR-00049
5.7	OR-00060		TN-00165	OR-00049
5.1	OR-00081		TN-00165	OR-00049
4.7	OR-00106		TN-00165	OR-00049
4.5 (*)	OR-00051		TN-00165	OR-00049
3.2	OR-00146		TN-00283	OR-00024

N.B.: (#) Standard Pump for G-125 A & Compact ES-125 A #7.6 SIZE, for G-200 A & Easy Spray #4.5 SIZE (*). Different sizes are available under order. For delivery time, please consult with Marketing department.

(▲) Parts included in the Repair Seal Kit. It includes the parts for 1 pump set.

(see Table 6 for the Repair Seal Kit for pneumatic units, old model).

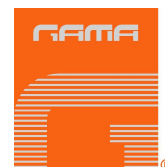


Table 6. Repair Seal Kit SIZE for Pneumatic Units (old model discontinued), Parts List

SEAL KIT REF.	From pg.5			From pg.8		
	Ref. 17	Ref. 19	Ref. 18	Ref. 4	Ref. 5	Ref. 8
- (2.9)	-	-	-	-	-	-
KT-00122 (3.2)	PU-02011-30	OR-00125	OR-00144	OR-00145	OR-00146	OR-00024
KT00032R (*4.5)	PU-02001-30	OR-00125	OR-00117	OR-00050	OR-00051	OR-00049
KT00089R (4.7)	PU-02009-30	OR-00125	-	OR-00105	OR-00106	OR-00049
KT00076R (5.1)	PU-02005-30	OR-00021	-	OR-00080	OR-00081	OR-00049
KT00058R (5.7)	PU-02002-30	OR-00021	-	OR-00059	OR-00060	OR-00049
KT00075R (6.3)	PU-02003-30	OR-00021	-	OR-00078	OR-00077	OR-00049
KT00078R (6.7)	PU-02006-30	OR-00021	-	OR-00086	OR-00085	OR-00049
- (7.2)	PU-02013-30	OR-00021	OR-00163	-	-	-
KT00074R (#7.6)	PU-02000-30	OR-00021	OR-00116	OR-00016	OR-00017	OR-00015
- (9.0)	PU-02012-30	OR-00032	OR-00155	OR-00154	-	OR-00015
- (13.5)	-	-	-	-	-	-

N.B.: (#) Standard Pump for G-125 A & Compact ES-125 A 7.6 SIZE, for G-200 A & Easy Spray 4.5 SIZE (*). Different sizes are available under order. For delivery time, please consult with Marketing department.

The Repair Seal Kit includes the parts for 1 pump set.

PNEUMATIC & HYDRAULIC PISTON ROD ASSEMBLY (CURRENT MODEL)

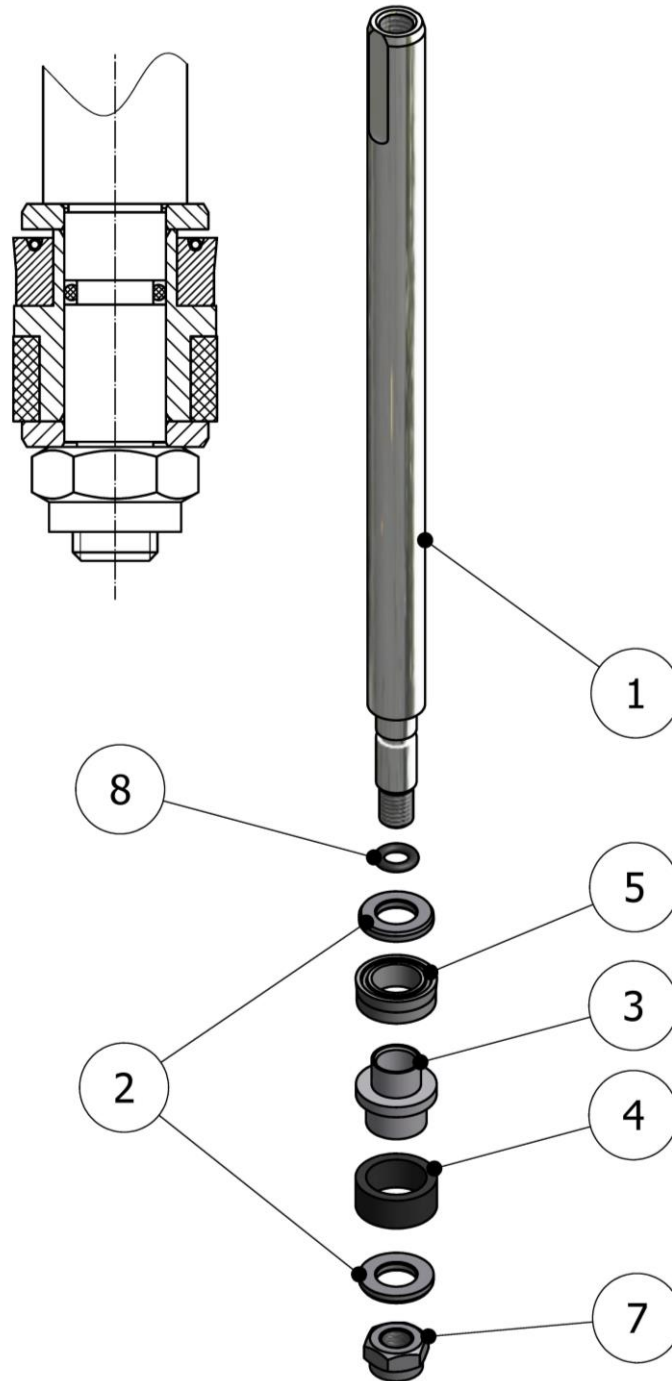


Figure 4. Pneumatic & Hydraulic Piston Rod Assembly (current model),
Exploded View

Vertical Proportioning Pump for Hydraulic & Pneumatic Units



Parts Manual

Table 7. Hydraulic Piston Rod Assembly (current model), Parts List

Ref.	Description	Part Number	Qty.
1	Pump Piston Rod	See Table 8	1
2	Washer	See Table 8	2
3	Piston Seal Support	See Table 8	1
4	Piston Seal (▲)	See Table 8	1
5	O-Ring (▲)	See Table 8	1
6			
7	Nut	See Table 8	1
8	O-Ring (▲)	See Table 8	1

(▲) Parts included in the seal kit, which contains the spare parts for 1 pump, (see Table 9 for the old hydraulic machine seal kit in DISUSE or see Table 12 for the ACTUAL unified seal kit).



Vertical Proportioning Pump for Hydraulic & Pneumatic Units

Parts Manual

Table 8. Pneumatic & Hydraulic Piston Rod Size (current model),Parts List

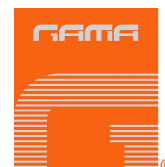
Pump	Ref. 1	Ref. 2	Ref. 3	Ref. 4 ▲
13.5	PU-02014-06	PU-02014-08	PU-02014-07R	OR-00167
11.8	PU-02016-06	PU-02016-08	PU-02016-07R	OR-00182
9.0	PU-02012-06	PU-02012-08	PU-02012-07R	OR-00154
7.6 (#)	PU-02000-06	PU-02000-08	PU-02000-07R	OR-00016
7.2	PU-02013-06	PU-02013-08	PU-02013-07R	OR-00162
6.7	PU-02006-06	PU-02006-08	PU-02006-07R	OR-00086
6.3	PU-02003-06	PU-02003-08	PU-02003-07R	OR-00078
5.7	PU-02002-06	PU-02002-08	PU-02002-07R	OR-00059
5.1	PU-02005-06	PU-02005-08	PU-02005-07R	OR-00080
4.7	PU-02009-06	PU-02009-08	PU-02009-07R	OR-00105
4.5 (*)	PU-02001-06	PU-02001-08	PU-02001-07R	OR-00050
3.2	PU-02011-06	PU-02010-08	PU-02010-07R	OR-00145
2.9	PU-02015-06	PU-02015-08	PU-02015-07R	OR-00172

Pump	Ref. 5 ▲	Ref. 6	Ref. 7	Ref. 8 ▲
13.5	OR-00166		TN-00342	OR-00011
11.8	OR-00184		TN-00342	OR-00011
9.0	OR-00152		TN-00030	OR-00015
7.6 (#)	OR-00156		TN-00030	OR-00015
7.2	OR-00161		TN-00030	OR-00015
6.7	OR-00175		TN-00165	OR-00049
6.3	OR-00180		TN-00165	OR-00049
5.7			TN-00165	OR-00049
5.1			TN-00165	OR-00049
4.7			TN-00165	OR-00049
4.5 (*)	OR-00151		TN-00165	OR-00049
3.2			TN-00283	OR-00024
2.9	OR-00171		TN-00283	OR-00024

N.B.: (#) Standard Pump for G-125 A & Compact ES-125 A 7.6 SIZE, for G-200 A & Easy Spray 4.5 SIZE (*). Different sizes are available under order. For delivery time, please consult with Marketing department.

(▲) Parts included in the seal kit, which contains the spare parts for 1 pump, (see Table 9 for the old hydraulic machine seal kit in DISUSE or see Table 12 for the ACTUAL unified seal kit).

**Vertical Proportioning Pump
for Hydraulic & Pneumatic Units**



Parts Manual

**Table 9. Repair Seal Kit SIZE for Pneumatic & Hydraulic Units (in disuse),
Parts List**

SEAL KIT REF.	From pg.5			From pg.12		
	Ref. 17	Ref. 19	Ref. 18	Ref. 4	Ref. 5	Ref. 8
- (2.9)	-	-	-	OR-00172	OR-00171	OR-00024
KT-00177 (3.2)	PU-02011-30	OR-00125	OR-00144	OR-00145	-	OR-00024
KT-00124 (*4.5)	PU-02001-30	OR-00125	OR-00117	OR-00050	OR-00151	OR-00049
- (4.7)	PU-02009-30	OR-00125	-	OR-00105	-	OR-00049
- (5.1)	PU-02005-30	OR-00021	-	OR-00080	-	OR-00049
- (5.7)	PU-02002-30	OR-00021	-	OR-00059	-	OR-00049
- (6.3)	PU-02003-30	OR-00021	-	OR-00078	OR-00180	OR-00049
- (6.7)	PU-02006-30	OR-00021	-	OR-00086	OR-00175	OR-00049
KT-00146 (7.2)	PU-02013-30	OR-00021	OR-00163	OR-00162	OR-00161	OR-00015
- (#7.6)	PU-02000-30	OR-00021	OR-00116	OR-00016	OR-00156	OR-00015
KT-00126 (9.0)	PU-02012-30	OR-00032	OR-00155	OR-00154	OR-00152	OR-00015
- (11.8)	-	-	-	OR-00182	OR-00184	OR-00011
- (13.5)	-	-	-	OR-00167	OR-00166	OR-00011

N.B.: (#) Standard Pump for G-125 A & Compact ES-125 A 7.6 SIZE, for G-200 A & Easy Spray 4.5 SIZE (*). Different sizes are available under order. For delivery time, please consult with Marketing department.

The Repair Seal Kit includes the parts for 1 pump set.

For Current Model, see Table 12.

HYDRAULIC & PNEUMATIC PROPORTIONING PUMP (UNIFIED CURRENT MODEL)

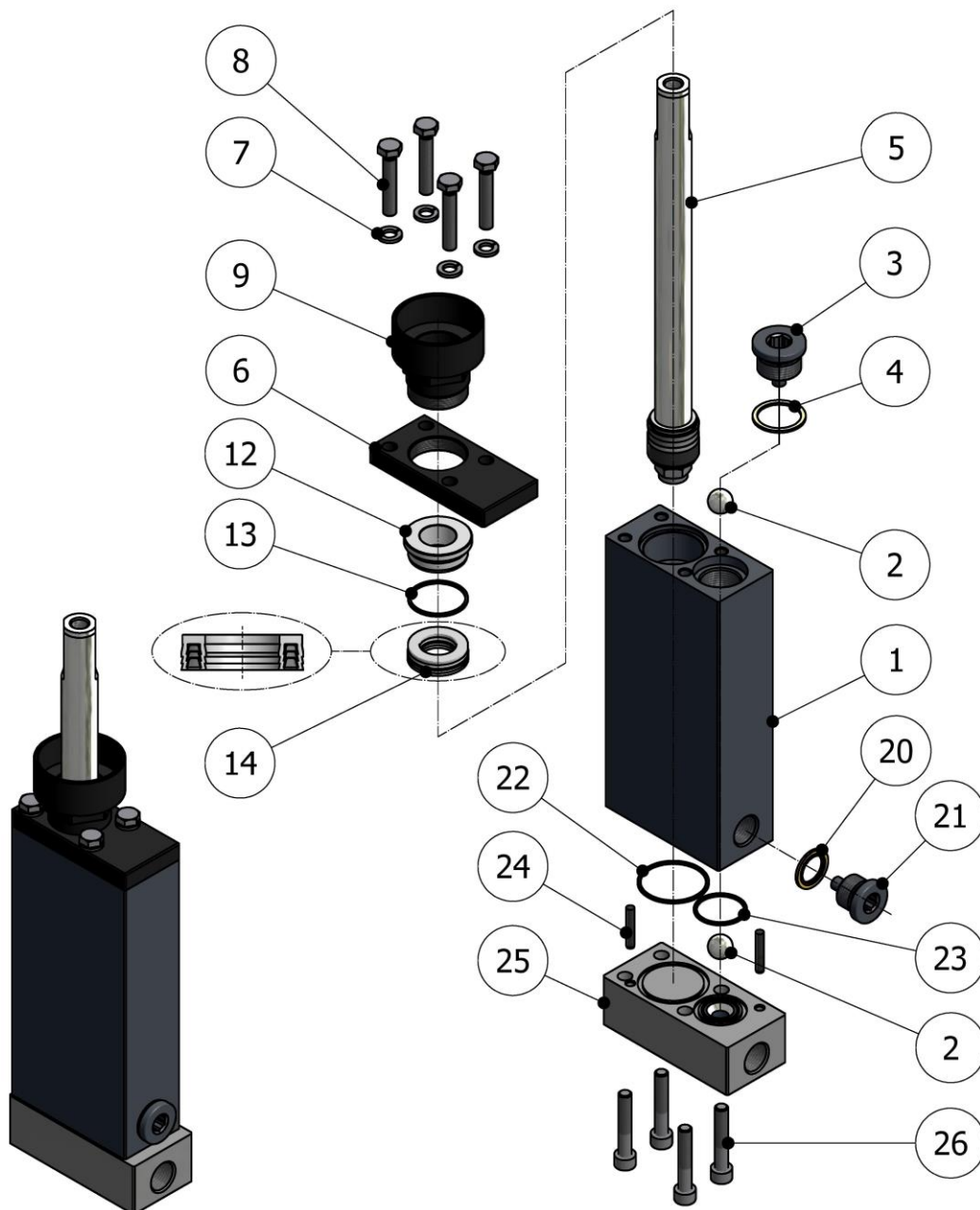


Figure 5. Proportioning Pump (unified current model), Exploded View

Vertical Proportioning Pump for Hydraulic & Pneumatic Units



Parts Manual

Table 10. Pneumatic & Hydraulic Unified Proportioning Pump, Parts List

Ref.	Description	Reference	Qty.
1	Pump Body With Check Valve Assembly	See Table 11	1
1.1	Pump Body	See Table 11	1
1.2	Check Valve Assembly	PU-02000-09	1
2	Valve Ball	TN-00012	2
3	Plug	PU-02000-21	1
4	Seal	PU-02000-27	1
5	Piston Rod Assembly	See pg.12	1
6	Packing Retainer	See Table 11	1
7	Lock Washer	TN-00028	4
8	Socket Head Cap Screw	TN-00051	4
9	Parking Nut W/Lube Cup	See Table 11	1
12	Bearing (▲)	See Table 11	1
13	O-Ring (▲)	See Table 11	1
14	Cylinder Seal (▲)	See Table 11	1
20	O-Ring	OR-00023	1
21	Plug	PU-02000-10	1
22	O-Ring	See Table 11	1
23	O-Ring	OR-00014	1
24	Dowel Pin	TN-00042	2
25	Pump Base With Check Valve Assembly	See Table 11	1
25.1	Check Valve Assembly	PU-02000-09	1
25.2	Base Plate	See Table 11	1
26	Socket Head Cap Screw	TN-00046	4

Notas:

The ISO & POL Pumps are equal.

Quantities for 1 unit Pump.

(▲) Parts included in the Repair Seal kit (see Table 12) that containing the units for 1 pump set.



Vertical Proportioning Pump for Hydraulic & Pneumatic Units

Parts Manual

Table 11. Components Variable SIZE, Parts List

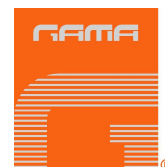
Ref.	(#) Size 7.6	(*) Size 4.5
1	PU-02000-02A	PU-02001-02A
1.1	PU-02000-02	PU-02001-02
6	PU-02000-03	PU-02000-03
9	PU-02000-31	PU-02001-31
12 ▲	PU-02000-30G	PU-02001-30G
13 ▲	OR-00021	OR-00125
14 ▲	OR-00116G	OR-00117G
22	OR-00013	OR-00013
25	PU-02000-01A	PU-02000-01A
25.2	PU-02000-01	PU-02000-01

N.B.: (#) Standard Pump for G-125 A & Compact ES-125 A 7.6 SIZE, for G-200 A & Easy Spray 4.5 SIZE (*). Different sizes are available under order. For delivery time, please consult with Marketing department.

(▲) Parts included in the Repair Seal kit (see Table 12) that containing the units for 1 pump set.

Ref.	Size 13.5	Size 11.8	Size 9.0	Size 7.2	Size 6.7
1	PU-02014-02A	PU-02016-02A	PU-02012-02A	PU-02013-02A	PU-02006-02A
1.1	PU-02014-02	PU-02016-02	PU-02012-02	PU-02013-02	PU-02006-02
6	PU-02014-03	PU-02014-03	PU-02012-03	PU-02000-03	PU-02000-03
9	PU-02014-31	PU-02014-31	PU-02012-31	PU-02000-31	PU-02000-31
12 ▲	PU-02014-30G	PU-02016-30G	PU-02012-30G		PU-02006-30G
13 ▲	OR-00169	OR-00169	OR-00032		OR-00021
14 ▲	OR-00168G	OR-00183G	OR-00155G		OR-00174G
22	OR-00170	OR-00170	OR-00013	OR-00013	OR-00013
25	PU-02014-01A	PU-02014-01A	PU-02000-01A	PU-02000-01A	PU-02000-01A
25.2	PU-02014-01	PU-02014-01	PU-02000-01	PU-02000-01	PU-02000-01

Vertical Proportioning Pump for Hydraulic & Pneumatic Units



Parts Manual

Ref.	Size 6.3	Size 5.7	Size 5.1	Size 4.7	Size 3.2
1	PU-02003-02A	PU-02002-02A	PU-02005-02A	PU-02009-02A	PU-02011-02A
1.1	PU-02003-02	PU-02002-02	PU-02005-02	PU-02009-02	PU-02011-02
6	PU-02000-03	PU-02000-03	PU-02000-03	PU-02000-03	PU-02000-03
9	PU-02000-31	PU-02000-31	PU-02000-31	PU-02001-31	PU-02001-31
12 ▲	PU-02003-30G				
13 ▲	OR-00021	OR-00021	OR-00021	OR-00125	OR-00125
14 ▲	OR-00179G				OR-00144G
22	OR-00013	OR-00013	OR-00013	OR-00013	OR-00013
25	PU-02000-01A	PU-02000-01A	PU-02000-01A	PU-02000-01A	PU-02000-01A
25.2	PU-02000-01	PU-02000-01	PU-02000-01	PU-02000-01	PU-02000-01

Ref.					Size 2.9
1					PU-02015-02A
1.1					PU-02015-02
6					PU-02000-03
9					PU-02001-31
12 ▲					PU-02015-30G
13 ▲					OR-00125
14 ▲					OR-00173G
22					OR-00013
25					PU-02000-01A
25.2					PU-02000-01

(▲) Parts included in the Repair Seal kit (see Table 12) that containing the units for 1 pump set.



Vertical Proportioning Pump for Hydraulic & Pneumatic Units

Parts Manual

Table 12. Repair Seal Kit (current model)

SEAL KIT REF.	From pg.16			From pg.12		
	Ref. 12	Ref. 13	Ref. 14	Ref. 4	Ref. 5	Ref. 8
KT-00166 (2.9)	PU-02015-30G	OR-00125	OR-00173G	OR-00172	OR-00171	OR-00024
- (3.2)	-	OR-00125	-	OR-00145	-	OR-00024
KT-00153 (*4.5)	PU-02001-30G	OR-00125	OR-00117G	OR-00050	OR-00151	OR-00049
- (4.7)	PU-02009-30	OR-00125	-	OR-00105	-	OR-00049
- (5.1)	PU-02005-30	OR-00021	-	OR-00080	-	OR-00049
- (5.7)	PU-02002-30	OR-00021	-	OR-00059	-	OR-00049
KT-00185 (6.3)	PU-02003-30G	OR-00021	OR-00179G	OR-00078	OR-00180	OR-00049
KT-00176 (6.7)	PU-02006-30G	OR-00021	OR-00174G	OR-00086	OR-00175	OR-00049
- (7.2)	-	-	-	OR-00162	OR-00161	OR-00015
KT-00129 (#7.6)	PU-02000-30G	OR-00021	OR-00116G	OR-00016	OR-00156	OR-00015
KT-00203 (9.0)	PU-02012-30G	OR-00032	OR-00155G	OR-00154	OR-00152	OR-00015
KT-00187 (11.8)	PU-02016-30G	OR-00169	OR-00183G	OR-00182	OR-00184	OR-00011
KT-00164 (13.5)	PU-02014-30G	OR-00169	OR-00168G	OR-00167	OR-00166	OR-00011

N.B.: (#) Standard Pump for G-125 A & Compact ES-125 A 7.6 SIZE, for G-200 A & Easy Spray 4.5 SIZE (*). Different sizes are available under order. For delivery time, please consult with Marketing department.

The Repair Seal Kit includes the parts for 1 pump set.

ASSEMBLY OF SMALLER PUMPS THAN #4.5 SIZE

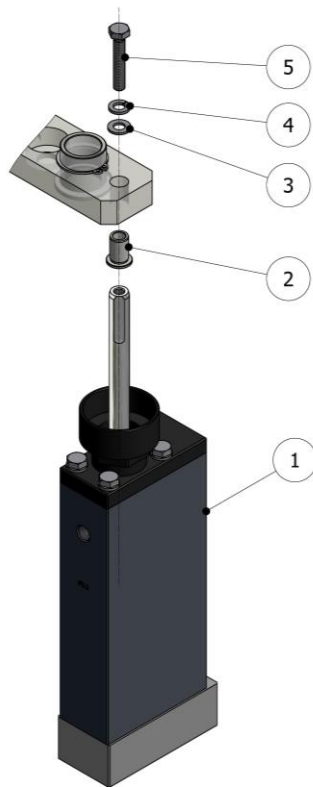


Figure 6. Assembly of Smaller Pumps than #4.5 Size

Table 13. Assembly of Smaller Pumps than #4.5 Size, Parts List

Ref.	Description	Reference	Qty.
1	Pump Assembly	See Table 1	1
2	Bushing	MQ-18005-01	1
3	Fender Washer	TN-00456	1
4	Lock Washer	TN-00028	1
5	Hex. Screw	TN-00051	1

Note: From size # 4.5 to size # 9.0 (inclusive), corresponds the standard assembly.



SEAL KITS COMPATIBILITY

Table 14. Compatibility List of Seal Kits

Version of Proportioning Pump	Piston Seals	Flange Seal
Model 01 (discontinued)	2 Simple Seals	1 Simple Seal
Model 02 (in disuse)	1 Heavy Seal	1 Simple Seal
Model 03 (current)	1 Heavy Seal	1 Heavy Seal

The current Repair Seal Kits are reflected in **Table 12**, that correspond to the assembly of the **Model 03** pump.

The Repair Seal Kit for the assembly **Model 02** pump (in disuse), are those reflected in **Table 9**.
The Repair Seal Kit for the assembly **Model 01** pump (discontinued), are those reflected in **Table 6**.

The **Model 01** and **Model 02** of dosing pumps are upgradeable to the current **Model 03**, for this you must take into account that:

- To upgrade from **Model 01** pump to **Model 03** pump, you must assemble the kit corresponding to the current model (according to **Table 12**), and replace the old piston with the current one according to **POS.3** of the **Table 8**.
- To upgrade from **Model 02** pump to **Model 03** pump, you only have to assemble the kit corresponding to the current model (according to **Table 12**).

ASSEMBLY OF SEALS

To assemble the pump, there are specific tools that prevent damage to the seal lips of both the piston and the cylinder head.

First, assemble the rod set with the piston and all its components. Ensure that the piston seal lips are facing upwards.

Insert the assembled piston set inside the sleeve with the specific tool (1) (see Table 15 on page 24).







Once you have inserted the piston into the sleeve, you must assemble the cylinder head seal. First place the seal funnel tool (2).

Next, place the cylinder head seal with the lips facing downwards.

Subsequently, you must place and fasten the tool (3) to the sleeve and insert the plunger (4) inside the rod. Screw as far as it will go.

Remove all the tools and finish the pump assembly by placing the guide with its joint, and fastening the piston and the nut with the bowl.

Table 15. List of Tools

	Tool (1)	Tool (2)	Tool (3)	Tool (4)
SIZE				
#2,9	HT-00134	HT-00116	HT-00119	HT-00121
#3,2				
#4,5				
#4,7	-	HT-00117	HT-00120	HT-00122
#5,1	-			
#5,7	HT-00033			
#6,3	HT-00032			
#6,7	HT-00133			
#7,2	-			
#7,6	HT-00031	HT-00118	HT-00128	HT-00129
#9,0	HT-00130			
#11,8	HT-00139			
#13,5	HT-00126	HT-00127		

Note: These tools are not supplied with the machine, they are optional upon request.

Vertical Proportioning Pump for Hydraulic & Pneumatic Units



Parts Manual

CONTENT

Warranty	2
Safety and Handling	3
Proportioning Pump Pneumatic & Hydraulic Units	4
Hydraulic & Pneumatic Proportioning Pump (old assemblies in disuse)	5
Pneumatic Piston Rod Assembly (old model Discontinued)	8
Pneumatic & Hydraulic Piston Rod Assembly (Current Model)	12
Hydraulic & Pneumatic Proportioning Pump (Unified Current Model)	16
Assembly of Smaller Pumps than #4.5 Size	21
Seal Kits Compatibility	22
Assembly of Seals	23
Content	25
List of illustrations	25
List of Tables	25

LIST OF ILLUSTRATIONS

Figure 1. Proportioning Pump Pneumatic & Hydraulic Units	4
Figure 2. Proportioning Pump (old assemblies in disuse), Exploded View	5
Figure 3. Pneumatic Piston Rod Assembly (old model discontinued), Exploded View	8
Figure 4. Pneumatic & Hydraulic Piston Rod Assembly (current model), Exploded View	12
Figure 5. Proportioning Pump (unified current model), Exploded View	16
Figure 6. Assembly of Smaller Pumps than #4.5 Size	21

LIST OF TABLES

Table 1. "A" Proportioning Pump Assy Size, Parts List	4
Table 2. Proportioning Pump (old assemblies in disuse), Parts List	6
Table 3. Components Variable SIZE, Parts List	7
Table 4. Pneumatic Piston Rod Assembly (old model discontinued), Parts List	9
Table 5. Pneumatic Piston Rod Size (old model discontinued), Parts List	10



Vertical Proportioning Pump for Hydraulic & Pneumatic Units

Parts Manual

Table 6. Repair Seal Kit SIZE for Pneumatic Units (old model discontinued), Parts List	11
Table 7. Hydraulic Piston Rod Assembly (current model), Parts List	13
Table 8. Pneumatic & Hydraulic Piston Rod Size (current model),Parts List	14
Table 9. Repair Seal Kit SIZE for Pneumatic & Hydraulic Units (in disuse), Parts List	15
Table 10. Pneumatic & Hydraulic Unified Proportioning Pump, Parts List	17
Table 11. Components Variable SIZE, Parts List	18
Table 12. Repair Seal Kit (current model)	20
Table 13. Assembly of Smaller Pumps than #4.5 Size, Parts List	21
Table 14. Compatibility List of Seal Kits	22
Table 15. List of Tools	24